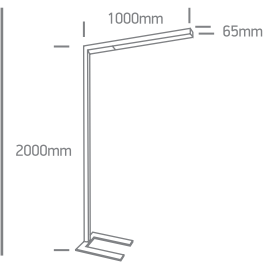


INSTALLATION MANUAL

36004

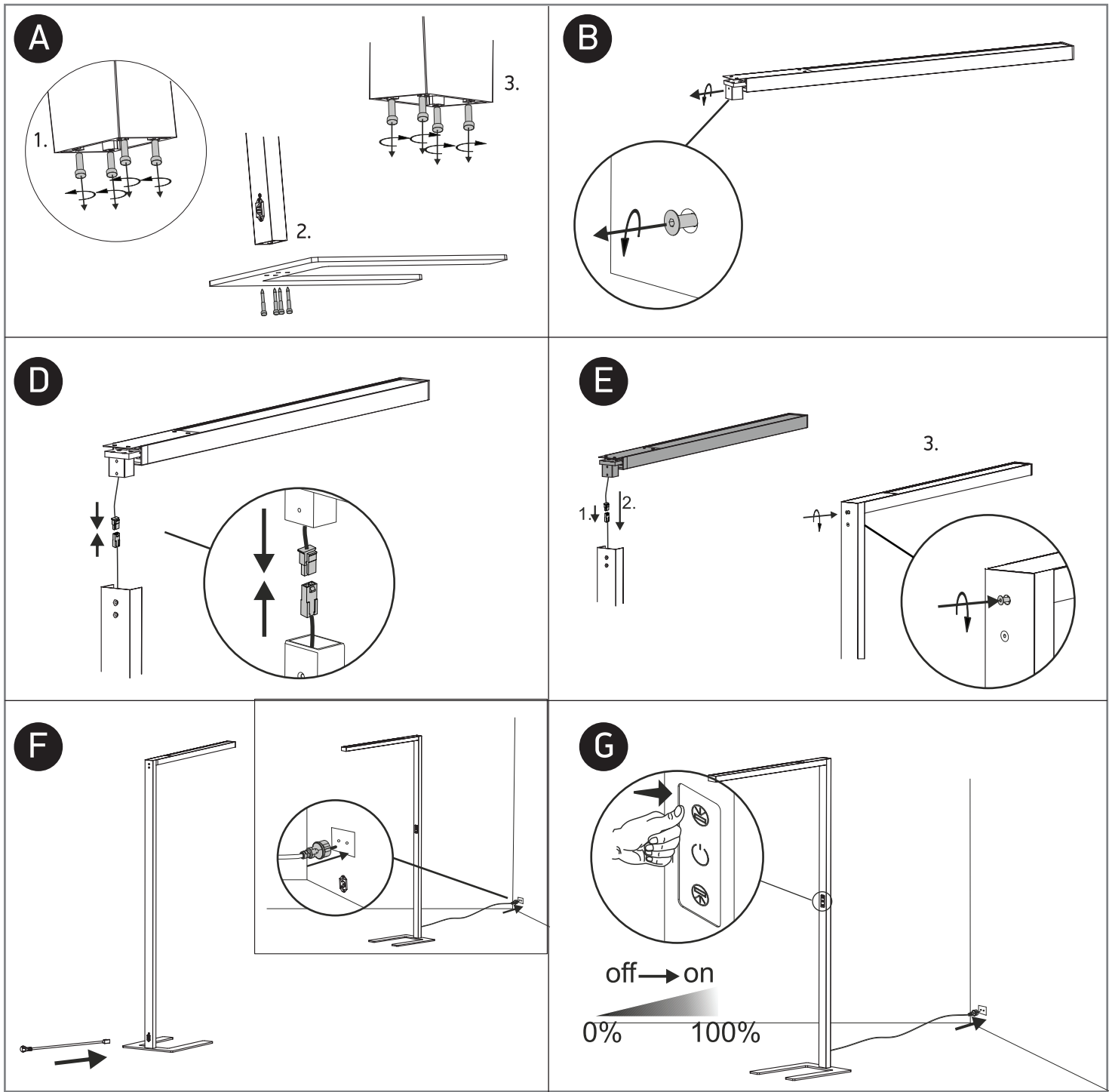
ecolight



230V | 75W | IP20 | Touch switch | Aluminium

Complete with 700mA + 1200mA drivers

80
CRI



Warnings:

1. Make sure that the product is installed properly before connecting to electricity.
2. Do not cover the fitting.
3. Maintenance and installation should only be carried out by a professional electrician.