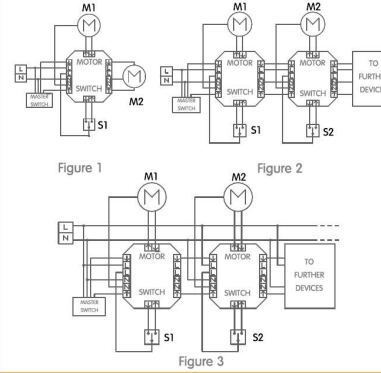




TECHNICAL SPECIFICATION

- Operating Voltage : AC 230V, 50Hz
- Breakdown Current : Max. 10A
- Relay Switching Voltage : AC 230V, 50Hz
- Relay Switching Capacity : Max. 8A/3A(AC1 / inductive)
- Terminals : 17 screw terminals
- Cable Types : 0.5 ... 2.5mm² Single - Core and Finely Stranded
- Output : 1 Motor (UP/DOWN)
- Dimensions : 44mm x 49mm x 22mm
- Installation : Flush Mount Boxes From 70mm to min. 40mm
- Standards : EN 60669-2-1
- Operating Temperature : -40... + 70°C
- Storage Temperature : -25... + 70°C
- Relative Humidity : 5% to 93%

CONNECTION DIAGRAM



IMPORTANT INFORMATIONS

- Switch 1 controls Motor 1
 - Switch 2 controls Motor 2
 - Master Switch can control all Switches. Master switch has control priority.
 - According to Figure 1, The sum current values of motors must be max. 8A.
 - According to Figure 2, Any number of relays can be connected to the motor. The sum current values of motors must be max. 8A.
 - According to Figure 3, Any number of relays can be connected to the motor.
 - Engine no. M2 given in Figure 1 can not be started by the switch no. S1, it can only be started by master switch.
- CAUTION**
- Connection should be connect according to connection diagram.
 - To avoid the risk of faulty connections and electrical damage, installation should be done by authorized person
 - Read the complete manual carefully before mounting Isolation Relay.



• Work on the 230V supply system may only be performed by authorised and qualified electricians.