

INSTALLATION MANUAL

38104B, 38108B, 38114B

ecolight



80
CRI



Complete with driver.



38104B

4W | SMD 2835 | 230V | 50Hz | IP20 | Plastic



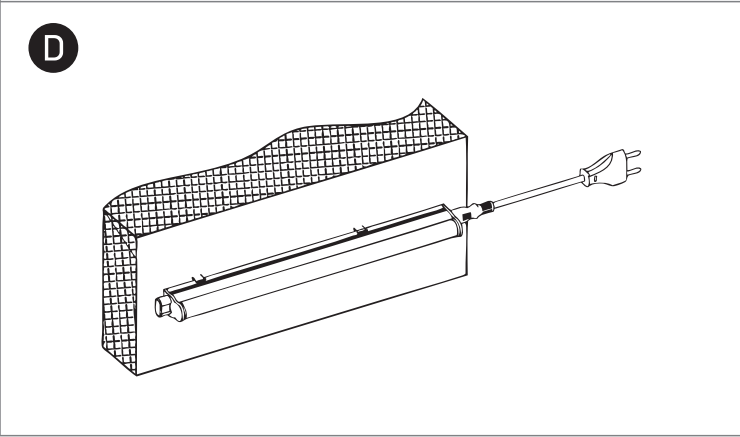
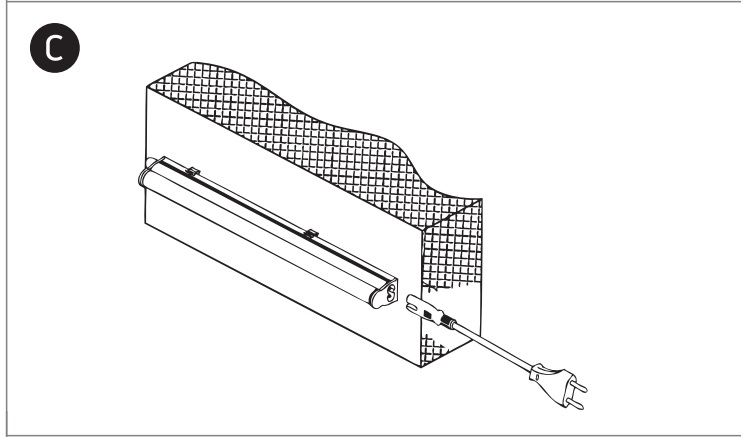
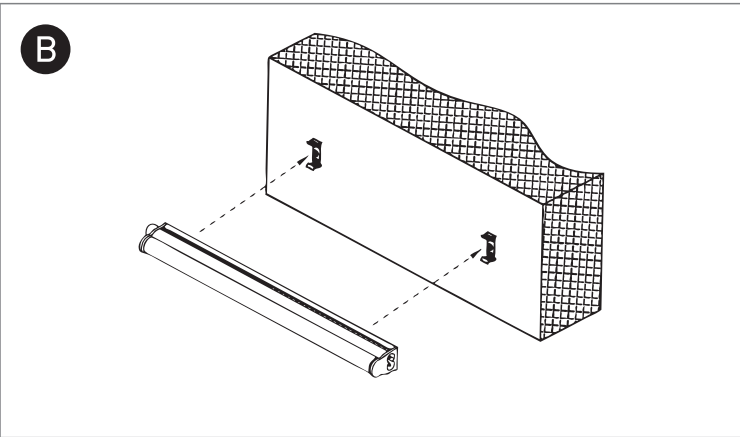
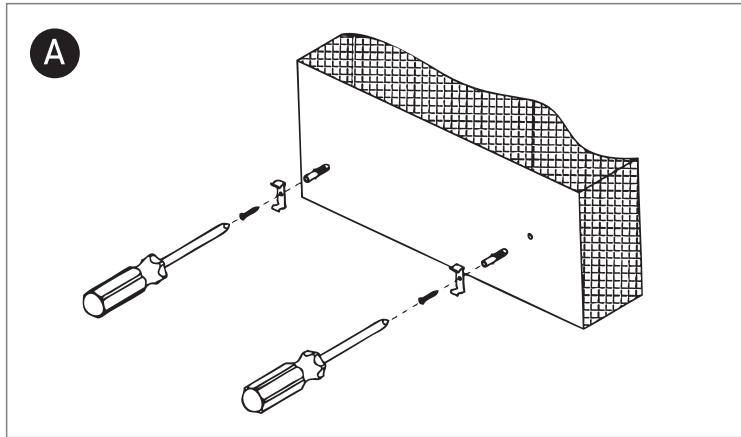
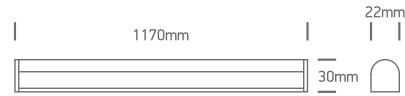
38108B:

8W | SMD 2835 | 230V | 50Hz | IP20 | Plastic

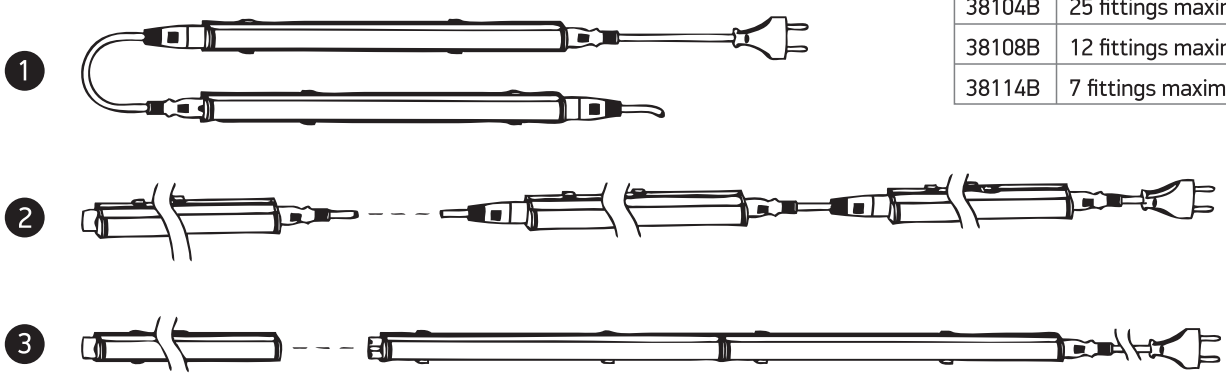


38114B:

14W | SMD 2835 | 230V | 50Hz | IP20 | Plastic



E Connect maximum 100W



Code:	Number of fittings linked
38104B	25 fittings maximum
38108B	12 fittings maximum
38114B	7 fittings maximum

Warnings:

1. Make sure that the product is installed properly before connecting to electricity.
2. Do not cover the fitting.
3. Maintenance and installation should only be carried out by a professional electrician.