

Technical parameters RFSTI-111B/230V RFSTI-111B/120V

Supply voltage:	230 V AC	120 V AC
Supply voltage frequency:	50–60 Hz	60 Hz
Apparent input:	9 VA/cos φ= 0.1	9 VA/cos φ= 0.1.
Dissipated power:	0.7 W	
Supply voltage tolerance:	+10 %; -15 %	
Temperature measurement input:	1x external TZ/TC temperature sensor input \triangle	
Temp. measurement range and accuracy:	+15 to +35 °C; 0.5 °C of the range	

Output

Number of contacts:	1x switching (AgSnO ²)
Rated current:	12 A/AC1
Switching power:	3000 VA/AC1, 288 W/DC
Peak current:	30 A/max. 4 s at 10%
Switching voltage:	250 V AC1/24 V DC
Min. switching power:	100 mA/10 V
Insulation voltage between relay outputs and internal circuits:	basic insulation (Cat. III surges by EN 60664-1)
Isolates. voltage open relay contact:	1 kV
Mechanical service life:	3x10 ⁷
Electrical service life (AC1):	5x10 ⁴

Control

Communication protocol:	RFIO2
Frequency:	866–922 MHz (for more information see p. 76)
Repeater function:	yes
Range:	in open space up to 160 m

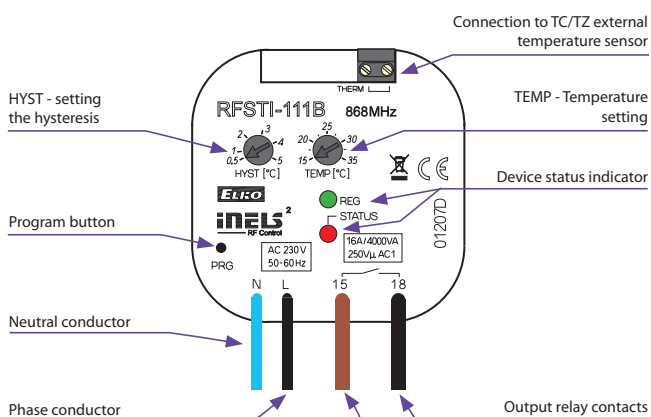
Other data

Operating temperature:	-15 to +50 °C
Storage temperature:	-30 to +70 °C
Indication of relay switch:	red LED
Indication regulation:	green LED
Operating position:	any
Mounting:	free at lead-in wires
Protection:	IP30
Overvoltage category:	III.
Contamination degree:	2
Outlets (CY wire, cross-section, length):	2 x 0.75 mm ² , 2 x 2.5 mm ² , 90 mm
Dimensions:	49 x 49 x 21 mm
Weight:	50 g

\triangle Temperature sensor input is at the supply voltage potential.

- The component measures temperature in the range of 15 to 35 °C with external sensor and on the basis of the set temperature switches air conditioning.
- It is particularly suitable for hotel rooms.
- With the Window/Door sensor programmed, when the window/door is opened, the device relay contact is automatically disconnected, there by saving unnecessary energy consumed for cooling when the window/door is open.
- It enables connection of the switched load up to 12 A (3000 VA).
- Up to 4 RFDW-100 detectors can be connected to one RFSTI-111B device.
- Range up to 160 m (in open space), if the signal is insufficient between the controller and unit, use the signal repeater RFRP-20 or protocol component RFIO2 that support this feature.
- Communication frequency with protocol RFIO2.
- The BOX design lets you mount it right in an installation box, a ceiling or controlled appliance cover.
- External sensor TC (-20 to +80 °C) or TZ (-40 to +125 °C) for length of 3 m, 6 m, 12 m. For more information see „Accessories“ on page 43.

Device description



Function

The external sensor senses the temperature of the room, turns the air conditioner on and off according to the set temperature. Responds to commands from the detector - when you open the window, turn off air conditioning.

Connection

