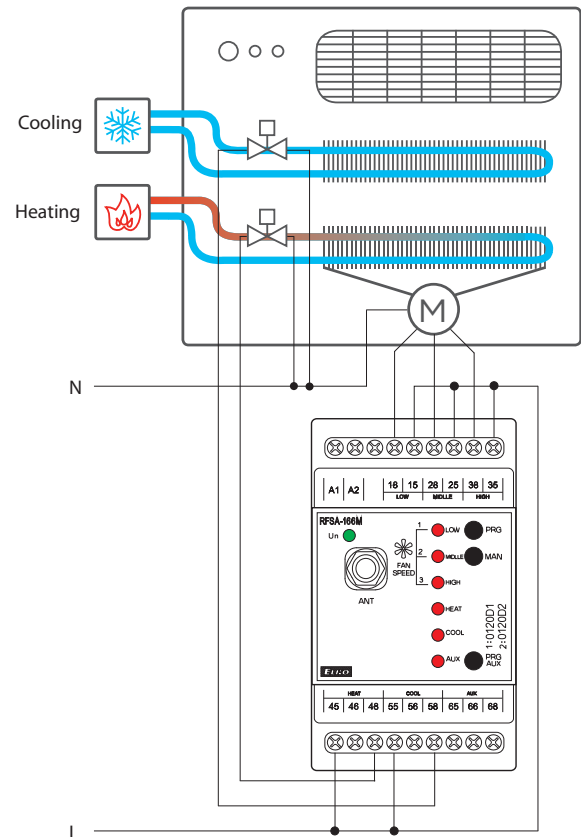




Technical parameters		RFS-166M/230V
Supply voltage:		110–230 V AC
Supply voltage frequency:		50–60 Hz
Apparent input:		min. 2 VA/max. 5 VA
Dissipated power:		min. 0.5W/max. 2.5W
Supply voltage tolerance:		+10%/-25 %
Output		
Number of contacts:		3x changeover (AgSnO ₂); 3x switching (AgSnO ₂)
Rated current:		8 A/AC1
Switching power:		2000 VA/AC1
Peak current:		10 A/<3 s
Switching voltage:		250 V AC1
Max. DC switching power:		500 mW
Mechanical service life:		1x10 ⁷
Electrical service life (AC1):		1x10 ⁵
Control		
Wireless:		on output RE6 up to 25-channels/buttons
Communication protocol:		RFIO2
Frequency:		866–922 MHz (for more information see p. 76)
Repeater button:		yes
Manual control:		MAN button
Range:		in open space up to 100 m
RF antenna:		AN-I included (SMA connector)*
Other data		
Operating temperature:		-15 °C to +50 °C
Operating position:		any
Mounting:		DIN rail EN 60715
Protection:		IP20 from the front panel
Overvoltage category:		III.
Contamination degree:		2
Connecting conductor cross-section (mm ²):		max. 1x 2.5, max. 2x 1.5/ with a hollow max. 1x 2.5
Dimensions:		90 x 52 x 65 mm
Weight:		264 g
Related standards:		EN 60669, EN 300 220, EN 301 489 R&TTE Directive, Order. No 426/2000 Coll. (Directive 1999/EC)

- Thanks to the 6-channels design of the switching component it can control the heating/cooling mode and with 3 speeds, the AUX output channel can be used to control appliances, sockets or lights.
- The RFS-166M wireless switching component can be combined with the RFTC-150/G.
- Up to 25 detectors RFD-100 can be assigned to the switching component.
- The RFD-100 can be assigned to the RFS-166M using the PRG button.
- Output Channel AUX:
 - up to 25-channels can be controlled,
 - can be combined with detectors, controllers or system components of iNELS RF Control,
 - function: button, pulse relay and delayed start or return time functions with 2 s – 60 min time setting. Function description can be found on page 78,
 - memory status is retained in the event of a power failure,
 - the AUX programming button on the component also serves as manual control of the AUX output.
- The package includes an internal antenna AN-I, in case of locating the element in a metal switchboard, you can use the external antenna AN-E for better signal reception, see accessories on page 75.
- Range up to 100 m (in open space), if the signal is insufficient, use the signal repeater RFRP-20 or protocol component RFIO2 that support this feature.
- Communication frequency with bidirectional protocol RFIO2.

Connection for fancoil control



* Max Tightening Torque for antenna connector is 0.56 Nm.