

EAN code:
 RFSAI-61B-SL: 8595188182041 RFSAI-11B-SL: 8595188183758
 RFSAI-62B-SL: 8595188182010

Technical parameters	RFSAI-11B-SL	RFSAI-61B-SL	RFSAI-62B-SL
Supply voltage:	230 V AC		
Supply voltage frequency:	50-60 Hz		
Apparent input:	7 VA / $\cos \varphi = 0.1$		
Dissipated power:	0.7 W		
Supply voltage tolerance:	+10 %; -15 %		

Output

	1x switching	2xswitching
Number of contacts:	1x switching	2xswitching
Rated current:	8 A / AC1	
Switching power:	2000 VA / AC1	
Peak current:	10 A / <3 s	
Switching voltage:	250 V AC1	
Mechanical service life:	1x10 ⁷	
Electrical service life (AC1):	1x10 ⁵	

Control

Wireless:	25-channels	2 x 12-channels
Number of functions:	1	6
Communication protocol:	RFIO2	
Frequency:	866-922 MHz (for more information see p. 74)	
Repeater function:	yes	
Manual control:	button PROG (ON/OFF)	
External button / switch:	yes	
Range:	in open space up to 200 m	

Other data

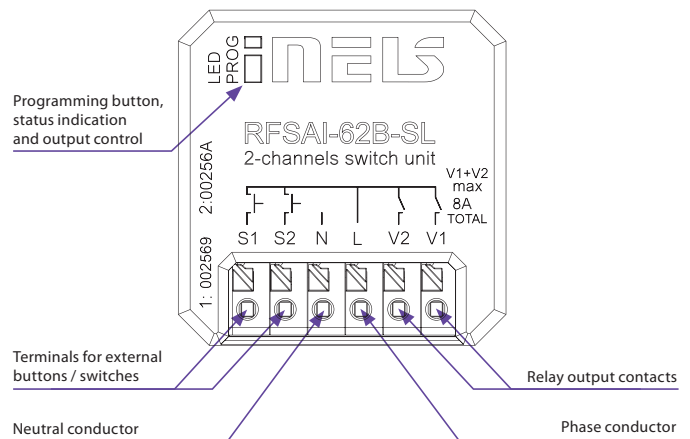
Operating temperature:	-15 to +50 °C	
Operating position:	any	
Mounting:	free at lead-in wires	
Protection:	IP40	
Overvoltage category:	III.	
Contamination degree:	2	
Connection:	screwless terminals	
Dimensions:	43 x 44 x 22 mm	
Weight:	31g	45 g
Related standards:	EN 60730, EN 63044, EN 300 220, EN 301 489	

Order codes

RFSAI-11B-SL	8595188183758
RFSAI-61B-SL	8595188182041
RFSAI-62B-SL	8595188182010

- The switching component with one/two output relays is used to control appliances and lights. Switches/buttons connected to the wiring can be used for control.
- They can be combined with Detectors, Controllers or iNELS RF Control System Components.
- The BOX version offers installation directly in the installation box, ceiling or cover of the controlled appliance. Easy installation thanks to screwless terminals.
- It allows the connection of switched loads with a total sum of 8 A (2,000 W).
- Functions: for RFSAI 61B-SL and RFSAI 62B-SL - pushbutton, impulse relay and time functions of delayed start or return with time setting 2 s-60 min. Any function can be assigned to each output relay. For RFSAI-11B-SL, the button has a fixed function - ON / OFF.
- The external button is assigned in the same way as the wireless one.
- Each of the outputs can be controlled by up to 12/12 channels (1-channel represents one button on the controller). Up to 25 channels for RFSAI-61B-SL and RFSAI-11B-SL.
- The programming button on the component also serves as a manual output control.
- Possibility to set the output status memory in case of failure and subsequent power recovery.
- The elements of the repeater can be set for the components via the RFAF / USB service device, PC, application.
- Range up to 200 m (outdoors), in case of insufficient signal between the controller and the device, use the RFRP-20 signal repeater or component with the RFIO2 protocol that support this function.
- Communication with bidirectional RFIO2 protocol.
- The contact material of the AgSnO₂ relay enables switching of light ballasts.

Device description



Connection

