

TRIAC DIMMER 12-48 V DC

Model № SDTD4815

DESCRIPTION

SDTD4815 is LED strip dimmer, which can be controlled by TRIAC dimming switch (AC dimming) or PUSH button. It works in a wide range of voltage 12-48 V DC (needs an external DC power supply). It is compatible with SDTD and SDWTD dimming switches.

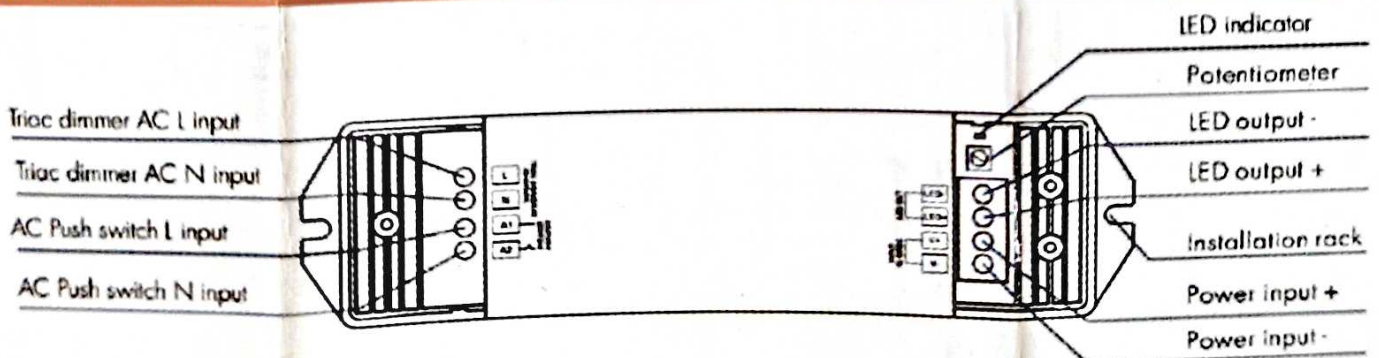
TECHNICAL DETAILS

- Input signal: Push dimming/ AC triac dimming
- Input voltage: 12-48 V DC
- Output voltage: 12-48 V DC
- Max. output power: 180 W (12 V), 360 W (24 V), 720 W (48V)
- Max. output current: 15 A
- Dimming range: 0% - 100%
- IP rate: IP20
- Dimensions: 175/ 45/ 27 mm
- Working temperature: -10° C + +40 ° C
- Warranty: 2 years
- Built-in overload, short circuit and overheat protection.

READ THE INSTRUCTIONS BEFORE MOUNTING OR REPLACEMENT

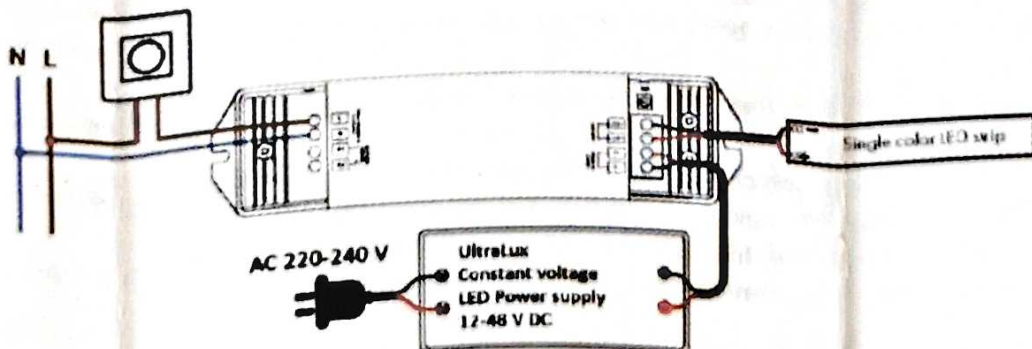
- Performing any activity with the power supply on constitutes potential hazard of electric shock. Prior to mounting, power supply must be switched off by using the main switch!
- The dimmer may only be connected to a properly functioning electrical system with compliance with the applicable standards. Activities related to connection to the power supply are to be commissioned to a person with appropriate authorization. The mounting must be performed in accordance to the scheme provided.
- The importer/supplier bears no responsibility for damages resulting from failure to comply with these instructions.

MECHANICAL STRUCTURES

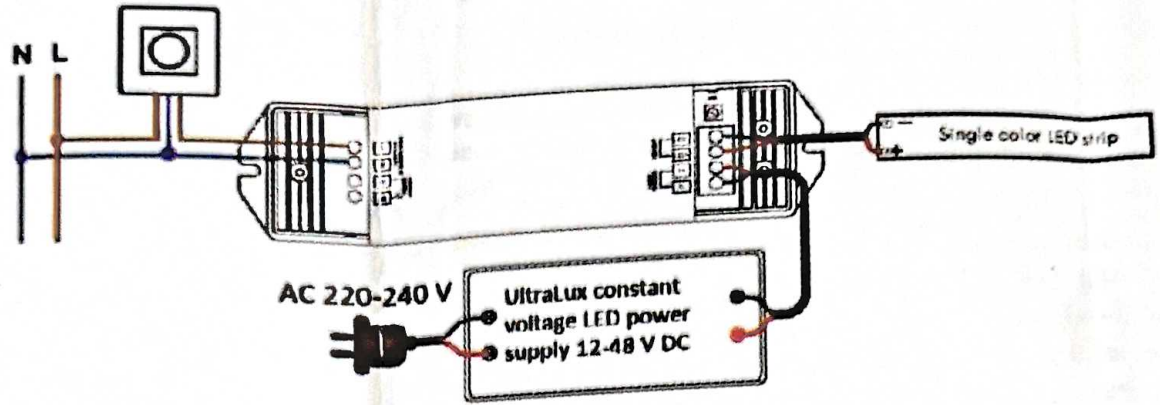


WIRING DIAGRAMS

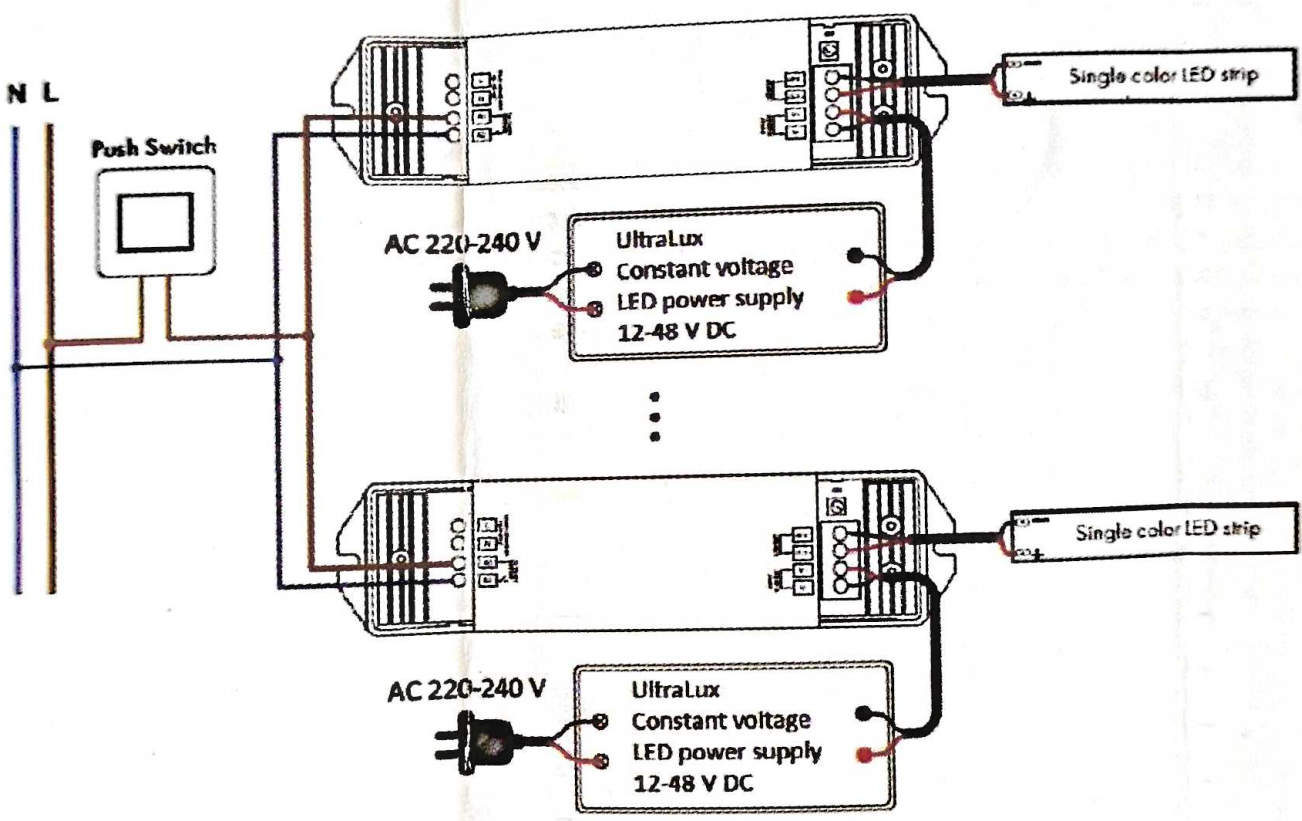
- Connect Triac dimmer (no Neutral wire):



• Connect Triac dimmer (with Neutral wire):



• Connect with AC push switch



TRIAC DIMMING INPUT

- AC 240V-220V dimming signal input can get 0%-100% brightness output, and the brightness is proportional to the input dimming signal. If the brightness can't go to 0% or 100%, please check the input voltage whether can get to the lowest or highest voltage.
- While connected with a dimming switches from different suppliers may have different minimum dimming levels which the driver can't be dimmed below. To dim to 1%, please make sure the dimmer supports 1% minimum dimming level.
- The product adopts analog method detect dimming signal input, adjust brightness consistency between different Triac dimmer through potentiometer.
- The Triac dimmer or Push switch can be connected at the same time, which makes the product more user-friendly and more options to fit for some extra-ordinary demands.
- If the product be used with the Push-Dim interface prior to using the Triac interface, the Triac dimming signal should change over 10% to return Triac control.

AC PUSH DIMMING

The provided Push-Dim interface allows for a simple dimming method using commercially available non-latching (momentary) wall switches.

- **Short press:**

Turn on or off light.

- **Long press (1-6 sec):**

Press and hold to step-less dimming,

With every other long press, the light level goes to the opposite direction.

- **Dimming memory:**

Light returns to the previous dimming level when switched off and on again, even at power failure.

- **Synchronization:**

If more than one controller is connected to the same push switch, do a long press for more than 10s, then the system is synchronized and all lights in the group dim up to 100%. This means there is no need for any additional synchrony wire in larger installations. We recommend the number of controllers connected to a push switch does not exceed 25 pieces. The maximum length of the wires from push to controller should be no more than 20 meters.

TAKING CARE OF THE NATURAL ENVIRONMENT CLEANLINESS



- The product and its components are not harmful to the environment
- Please dispose the package elements separately in containers for the corresponding material.
- Please dispose the broken product separately in containers for out of usage electrical equipment