


73000004	DATA SHEET	
Valid from: 18.09.2020	EPIC® POWER LS1 D6 5+PE	

Description

- Circular connectors for servomotors and power supply
- High power at smallest installation space
- Optimal solution for electric motors
- EMC-optimised design
- Safety use in field environment by high protection class



General Characteristics

Series	POWER LS 1
Version	Cable connector for female contacts
Pin configuration	5+PE
Rated voltage (V)	630 V
Rated impulse voltage	6 kV
Rated current (A)	25 A
Contact resistance	< 4 mOhm
Contacts	Gold plated brass
Number of contacts	5+PE
Termination methods	Crimp termination: 0.5 – 2.5 mm ² Crimp termination: 4.0 mm ² (only 44420091)
Protection	IP 68 (latched)
Cycle of mechanical operation	500
Temperature range	-25°C to +125°C
Degree of soiling	3

Product Variation


Package unit = 20 pcs: Contacts must be ordered separately

Article- Number	Article	Contacts included	Cable clamping range mm	Pin configuration
Type LS1 D6, Cable connector, 6-pin for female contacts				
73000004	LS1 D6	6	8,5 - 11	5+PE
73000006	LS1 D6		8,5 - 11	5+PE
73000005	LS1 D6	6	10,5 - 15,5	5+PE
73000007	LS1 D6		10,5 - 15,5	5+PE
76123000	LS1 D6	6	7,5 - 15,5	5+PE
76123510	LS1 D6		7,5 - 15,5	5+PE
44420091	LS1 D6 mit 2 mm contact for 4 mm ² termination	6	14 - 17	5+PE
44420090	LS1 D6		14 - 17	5+PE

Creator: STKU3/PDP Released: IVSE1/PDP	Document: DB73000004EN Version: 05	Page 1 of 3
---	---------------------------------------	-------------

We reserve all rights according to DIN ISO 16016.

PD 0019/05_04.18EN

73000004	DATA SHEET	
Valid from: 18.09.2020	EPIC® POWER LS1 D6 5+PE	

Materials and Surfaces

Housing	Nickel-plated zinc die-casting, nickel-plated brass
Insert	PA
Seal	FPM
Contact	Brass
Contact surface	Gold

Approvals

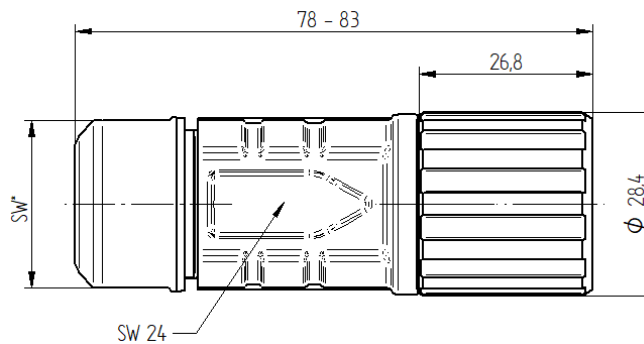
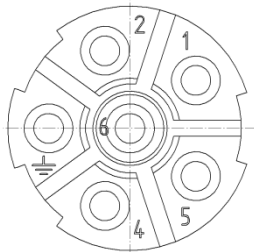
VDE-Approval, VDE-REG.-Nr.	B025
UL-File-Number	E249137

Standard

Safety Standard IEC 61984, UL 2238, CSA 22.2 182.3



Technical Drawings



Article number	*Wrench Size
73000004	26
73000006	26
73000005	26
73000007	26
76123000	27
76123510	27
44420091	27
44420090	27



Good chemical resistance




Corrosion-resistant



Industrial machinery and plant engineering

Creator: STKU3/PDP Released: IVSE1/PDP	Document: DB73000004EN Version: 05	Page 2 of 3
---	---------------------------------------	-------------

73000004	DATA SHEET	
Valid from: 18.09.2020	EPIC® POWER LS1 D6 5+PE	



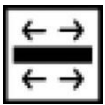
Maximum vibration protection



Mechanical resistance



Assembly time



Optimum strain relief



Space requirement



Robust



Integrated SKINTOP® cable gland



Waterproof



Wind Energy



Variety of approval certifications

Application range

Plant engineering

Servo drives and servo assemblies

Remark

Photographs are not to scale and do not represent detailed images of the respective products.

Creator: STKU3/PDP Released: IVSE1/PDP	Document: DB73000004EN Version: 05	Page 3 of 3
---	---------------------------------------	-------------