


55001080	DATA SHEET	
Valid from: 22.10.2018	SILVYN® AFG-PA	

The SILVYN® AFG-PA straight connection flange is a one-piece connector with clap mechanism specifically designed for use with the SILVYN® MAXI-PA. Thanks to the special construction, the conduit can be pre-locked and mounted ready for connection. A simple clap mechanism for final securing saves time and provides for quick and easy assembly. Suitable for use in machine and plant manufacturing.



Material:

Polyamide

Technical Features:

Nominal width

NW 70 up to NW 95

Protection class

IP54, IP65, IP66, IP67 und IP69 acc. to EN 60529

Depending on the used conduit

and SILVYN® Sealing AFG-PA/AFW-PA

Temperature range

-40°C up to +120°C

Additional features:

Fire classification

V2 acc. to UL94

Oxygen index

>28% acc. to EN ISO 4589-2

Free of silicone, cadmium, halogen and phosphorus

UV-Resistant

SILVYN® AFG-PA black

Color:

Grey

Black

Approvals:



Reference standards:

DIN EN IEC 61386-23


Suitable conduits:

SILVYN® MAXI PA

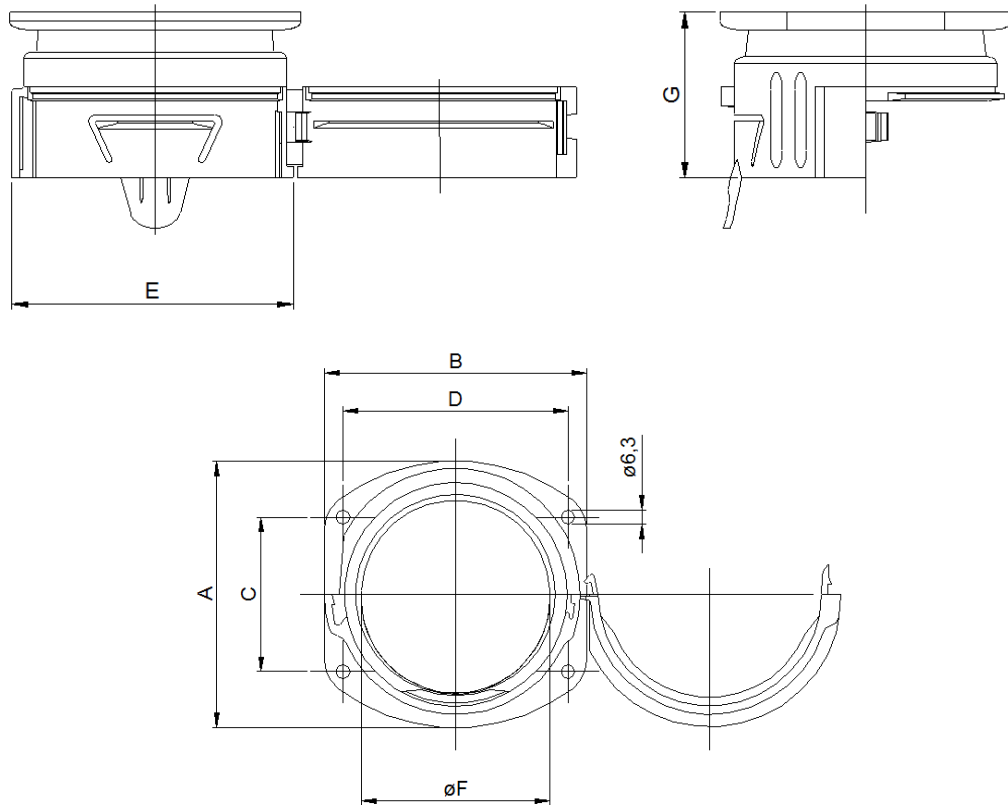
SILVYN® Sealing AFG-PA/AFW-PA

For more information please see our current catalogue. Please do not hesitate to contact our laboratory if there are any questions regarding resistance against aggressive agents and special oil.

Creator: MAAU1 Released: DAMU1	Document: DB55001080EN Version: 02	Page 1 of 2
-----------------------------------	---------------------------------------	-------------

55001080	DATA SHEET	
Valid from: 22.10.2018	SILVYN® AFG-PA	

Product drawing:



Dimension table:

Part No.	NW	A mm	B mm	C mm	D mm	E mm	ØF mm	G mm	Thread	Weight g
SILVYN AFG-PA grey										
5500 1080	70	94,0	96,0	60,5	80,5	96,4	68,0	65,5	M6	130,0
5500 1081	95	120,0	126,0	74,0	108,0	123,0	85,0	70,5	M6	180,0
SILVYN AFG-PA black										
5500 1085	70	94,0	96,0	60,5	80,5	96,4	68,0	65,5	M6	130,0
5500 1086	95	120,0	126,0	74,0	108,0	123,0	85,0	70,5	M6	180,0