


54110840	<b>DATA SHEET</b>	
Valid from: 03.07.2018	<b>SKINTOP® BRUSH ADD-ON</b>	

The SKINTOP® BRUSH ADD-ON is an optimum low-resistance 360°screen contact. Cutting edges cut through the insulating layer of the Housing or switch cabinets, thus guaranteeing an optimum EMC contact. Easy disassembling, visible, large-scale screen contact.

Application: For EMC-compliant earthing of the copper braiding, or for cables with copper shaft sheath. For EMC-contact inside bore-holes. Control cabinet manufacturing, Automation Systems, Conveyor and transport systems.



### Components:

Adapter	Brass, nickel-plated
Brush	Brass wire


### Technical features:

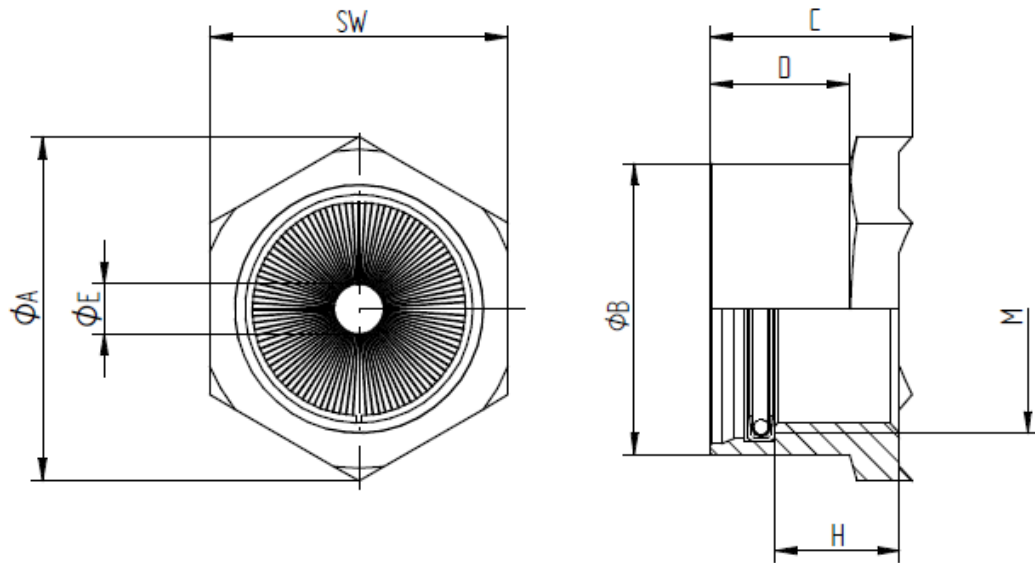
Connecting thread	M16x1,5 up to M63x1,5 acc. to EN 60423
Temperature range	-70 °C up to +200 °C
Transfer impedance	≤ 10 mOhm
Corrosion-protection class	C4

### Norm references:



Creator: T. Dvoulety /PDP Released: DAMU1/PDP	Document: DB54110840EN Version: 04	Page 1 of 2
--	---------------------------------------	-------------

54110840	<b>DATA SHEET</b>	
Valid from: 03.07.2018	<b>SKINTOP® BRUSH ADD-ON</b>	



M	SW [mm]	Ø A [mm]	Ø B [mm]	C [mm]	D [mm]	Ø E min. [mm] over braiding	H [mm]	Article No.
M12x1,5	24	27,7	23,5	16,3	10,3	4	10	54110839
M16x1,5	24	27,7	23,5	16,3	10,3	4	10	54110840
M20x1,5	24	27,7	23,5	16,3	10,3	4	10	54110841
M25x1,5	30	34,6	29,7	16,3	10,3	5	10	54110842
M32x1,5	39	45,0	38,0	18,5	12,5	6	12	54110843
M40x1,5	47	54,2	46,7	18,5	11,5	10	12	54110844
M50x1,5	56	64,6	55,8	18,7	11,7	12	12	54110845
M63x1,5	63	76,2	65,8	20,0	13,0	16	12	54110846

For more information please see our current catalogue. Please do not hesitate to contact our laboratory if there are any questions regarding resistance against aggressive agents and special oil.

Creator: T. Dvoulety /PDP Released: DAMU1/PDP	Document: DB54110840EN Version: 04	Page 2 of 2
--	---------------------------------------	-------------