


53119200	DATA SHEET	
Valid from: 03.12.2020	SKINTOP® GMP-HF-M	

The SKINTOP® GMP-HF-M, a hexagonal locknut of special halogen-free polyamide, is used where cable glands are attached but there is only a pass-through hole. When the cable gland is fixed in a thread, a higher protection against vibration can be attained with this locknut.



Material: Polyamide

Technical Features:

Connecting thread M12x1,5 up to M63x1,5 acc. to EN 60423

Additional features:

Fire Classification V0 acc. to UL 94
 Flame-retardant Yes
 Self-extinguishing Yes

Temperature range: -20°C up to +100°C

Colour: RAL 7035, Light-grey
 RAL 9005, black


Approbation:

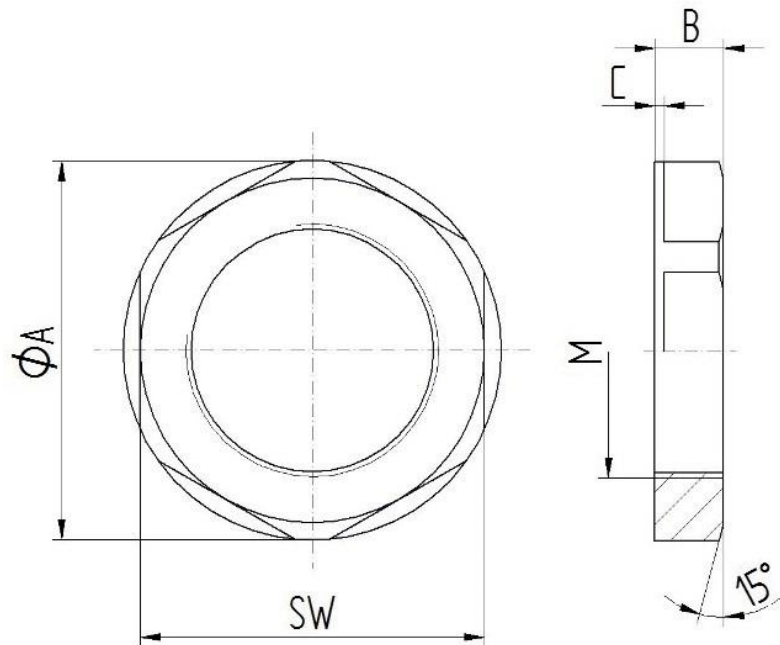


Norm Reference: EN 60423

Suitable cable glands: SKINTOP® ST-HF-M

Creator: MAU1/PDP Released: DAMU1/PDP	Document: DB53119200EN Version: 04	Page 1 of 2
--	---------------------------------------	-------------

53119200	DATA SHEET	
Valid from: 03.12.2020	SKINTOP® GMP-HF-M	



M	SW mm	Ø A mm	B mm	C mm	Part No.	
					RAL 7035	RAL 9005
M12x1,5	17	18,7	5	0,8	53119200	53119205
M16x1,5	22	24,2	5	0,8	53119210	53119215
M20x1,5	27	29,7	6	0,9	53119220	53119225
M25x1,5	34	37,4	6	0,9	53119230	53119235
M32x1,5	41	45,1	7	1	53119240	53119245
M40x1,5	50	55	7	1	53119250	53119255
M50x1,5	60	66	8	1,2	53119260	53119265
M63x1,5	75	82,5	8	1,2	53119270	53119275

For more information please see our current catalogue. Please do not hesitate to contact our laboratory if there are any questions regarding resistance against aggressive agents and special oil.

Creator: MAU1/PDP Released: DAMU1/PDP	Document: DB53119200EN Version: 04	Page 2 of 2
--	---------------------------------------	-------------