

53113200	DATA SHEET	
Valid from: 09.09.2020	SKINTOP® GRIP-M / GRIP-XL-M	

The SKINTOP® GRIP-M is a double clamp strain relief cable gland. The cable gland is suitable for rough conditions and has an additional safety cable protection for bending and pulling out.

The SKINTOP® GRIP-M is a nickel plated brass cable gland with metric connection thread. Through the combination of lamellar design and double clamp strain relief, the cable gland is particularly suitable for use in plant constructions, in mobile devices and machinery and also in the cranes- and conveyor plant constructions.



Screw connection materials:

Body:	Brass, nickel plated
Cap nut:	Brass, nickel plated
Clamp:	Brass, nickel plated
Insert:	Polyamide; V2 acc. to UL 94
Seal insert for the lamellar cage:	CR/NBR (Ozone and UV-resistant)
O-Ring:	NBR (Ozone and UV-resistant)

Technical characteristics:

Connecting thread:	M16x1.5 up to M32x1.5 acc. to EN 60423
Protection class:	IP 68 -10 bar / 30min acc. to EN 60529 IP 69 acc. to EN 60529
Strain relief:	Exceed the specification acc. to DIN EN 62444/category B
Temperature range:	Dynamic: -25°C up to +100°C Static: -40°C up to +100°C

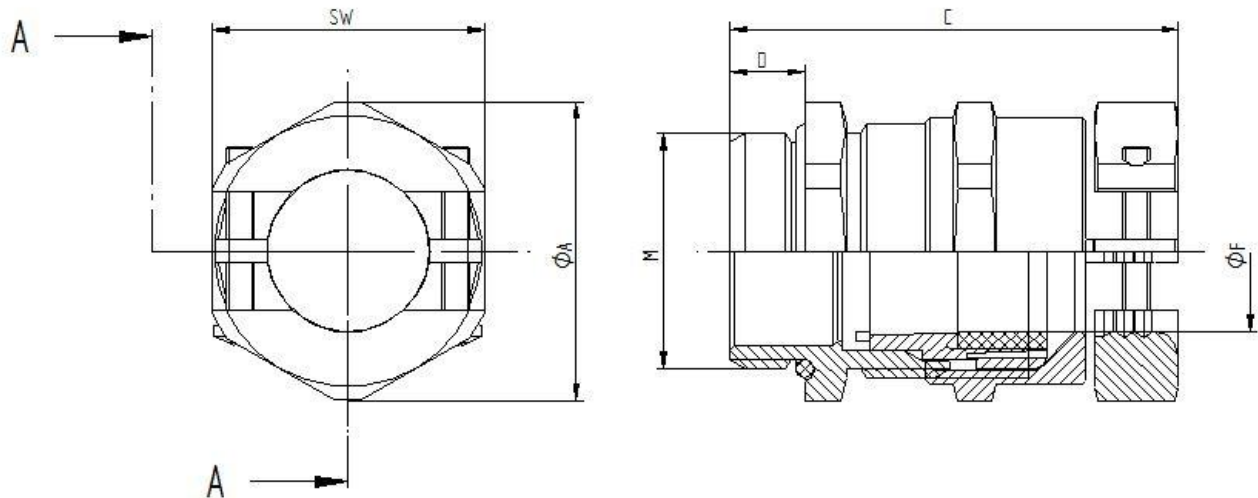
Features:	<ul style="list-style-type: none"> For high mechanical stress High strain relief Smooth clamping of the cable Reliable bend protection
------------------	--

Norm Reference:



Creator: VACH1 /PDP Released: DAMU1/PDP	Document: DB53113200EN Version: 05	Page 1 of 2
--	---------------------------------------	-------------

53113200	DATA SHEET	
Valid from: 09.09.2020	SKINTOP® GRIP-M / GRIP-XL-M	



SKINTOP® GRIP-M

Thread (M)	SW	Ø A	C max.	D	Clamping range	O-ring	Part No.
					Ø F		
M16x1,5	20	22	41	7	4,5 - 10	13x2	5311 3180
M20x1,5	24	26,4	46	8	7 - 13	17x2	5311 3200
M25x1,5	29	31,9	48,5	8	9 - 17	22x2	5311 3210
M32x1,5	36	93,6	56,6	9	11 - 21	28x2	5311 3220

SKINTOP® GRIP-XL-M

Thread (M)	SW	Ø A	C max.	D	Clamping range	O-ring	Part No.
					Ø F		
M16x1,5	20	22	46	12	4,5 - 10	13x2	5311 3185
M20x1,5	24	26,4	49,5	12	7 - 13	17x2	5311 3205
M25x1,5	29	31,9	52,5	12	9 - 17	22x2	5311 3215
M32x1,5	36	93,6	62,6	15	11 - 21	28x2	5311 3225

For more information please see our current catalogue. Please do not hesitate to contact our laboratory if there are any questions regarding resistance against aggressive agents and special oil.

Creator: VACH1 /PDP Released: DAMU1/PDP	Document: DB53113200EN Version: 05	Page 2 of 2
--	---------------------------------------	-------------