


53015600	DATA SHEET	
Valid from: 23.11.2021	SKINTOP® BS	

The SKINTOP® BS with polyamide spiral strain relief, is particularly used for flexible cables a handheld equipment, moving machine parts and in many applications of the instrument industry.

The SKINTOP® BS with spiral affords protection against conductor damage.



Components:

Gland body	Polyamide (UL 94/V2)
Cap nut with protection spiral	Polyamide (UL 94/V2)
Sealing ring	CR

Technical features:

Connecting thread	PG7 up to PG21 acc. to DIN 40430
Functional thread	Multi-start trapezoidal thread
Protection class / NEMA Type Rating	IP68 - 5 bar, test acc. to EN 60529 NEMA Type 1 and Type 12
Strain relief	acc. to DIN 62444
Temperature range	- 20°C up to +100°C
Colour	RAL 7001 silver-grey RAL 9005 black, UV-resistant

Approvals:




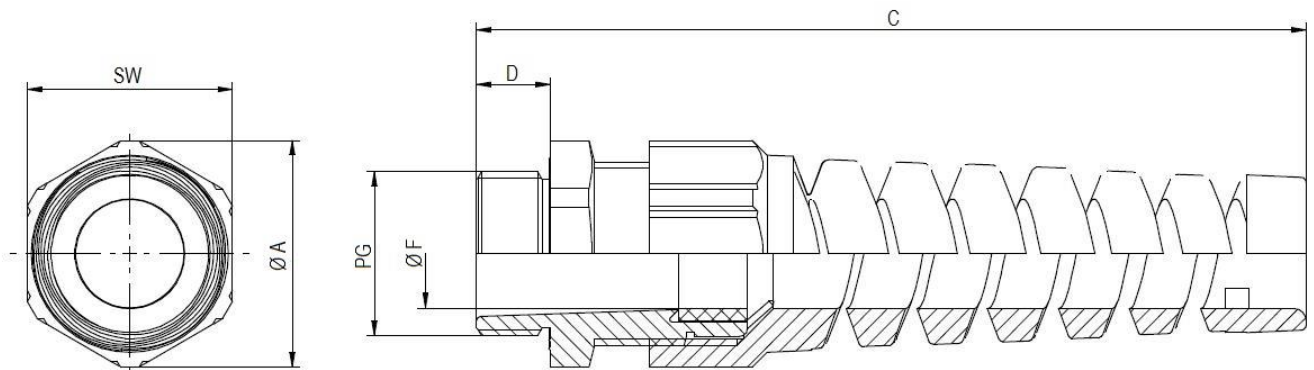
UL File Nr. E79903 (Test in acc. to UL514B)

Norm references:



Creator: MAU1 /PDP Released: DAMU1/PDP	Document: DB53015600EN Version: 08	Page 1 of 2
---	---------------------------------------	-------------

53015600	DATA SHEET	
Valid from: 23.11.2021	SKINTOP® BS	



PG	SW [mm]	Ø A [mm]	C [mm]		D [mm]	Ø F [mm] Clamping range	Article No.	
			min.	max.			RAL 7001	RAL 9005
PG7	15	16,4	59	62	7,8	2,5-6,5	53015600	53015800
PG9	19	21,1	70	75	8,0	3,5-8	53015610	53015810
PG11	22	24,4	81	87	8,0	4-10	53015620	53015820
PG13,5	24	26,5	93	100	9,0	6-12	53015630	53015830
PG16	27	29,5	106	113	10,0	9-14	53015640	53015840
PG21	33	36,2	120	129	11,0	13-18	53015650	53015850

For more information please see our current catalogue. Please do not hesitate to contact our laboratory if there are any questions regarding resistance against aggressive agents and special oil.

Creator: MAU1 /PDP Released: DAMU1/PDP	Document: DB53015600EN Version: 08	Page 2 of 2
---	---------------------------------------	-------------