


52108001	<b>DATA SHEET</b>	
Valid from: 03.07.2018	<b>SKINDICHT® SE-M without E+D</b>	

The SKINDICHT® SE-M flange angular cable gland is characterised by design, exceptionally low overall height and stability. It can be securely and shortly installed with only two or four fixing holes. The recessed Perbunan® O-ring guarantees a strong seal between the housing and the gland. The die cast zinc material is resistant against tropical conditions and corrosion, even in combination with grey cast iron or steel.

The SKINDICHT® SE-M can be combined with all special cable glands in our range such as sealing-, strain relieve-, bending protection-, conduit connection- or earthing glands. The protection class depends on the special glands which are combined, but the standard version is at least IP 55.



### Components:

Angular housing	Zinc die-casting, grey, hammer-tone enameled
Sleeve	PE
O-ring	NBR


### Technical Features:

Connection threads	M20x1.5; M25x1.5; M32x1.5 acc. to EN 60423
Temperature range	-20 °C up to +100 °C
Protection class	IP55 acc. to EN 60529
Surface	structured finish, colour RAL 7001

### Norm references:

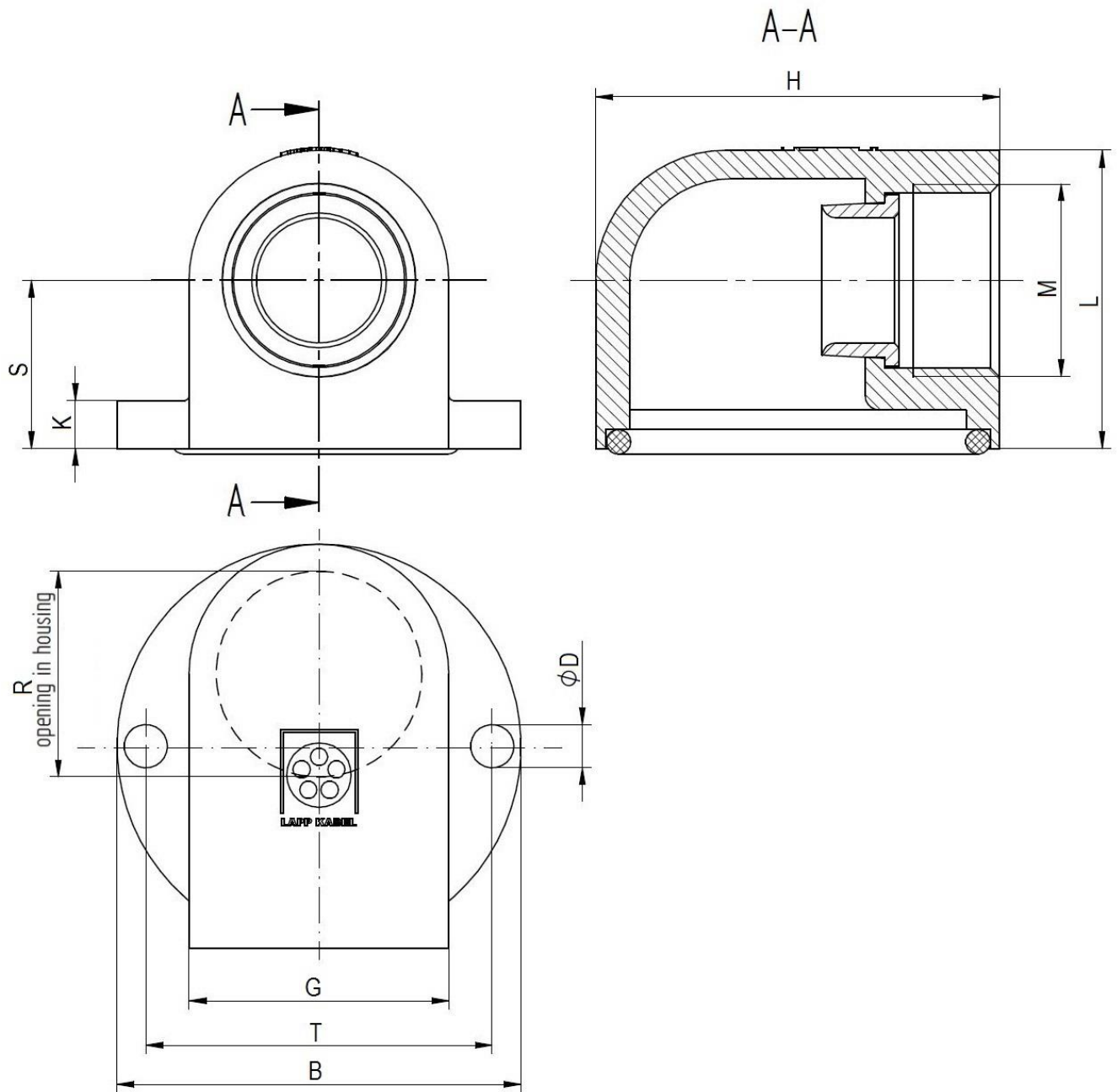


Creator: V.Charcenko /PDP Released: DAMU1/PDP	Document: DB52108001EN Version: 01	Page 1 of 3
--	---------------------------------------	-------------


52108001	<b>DATA SHEET</b>	
Valid from: 03.07.2018	<b>SKINDICHT® SE-M without E+D</b>	

**SKINDICHT® SE-M without E+D M20x1.5**

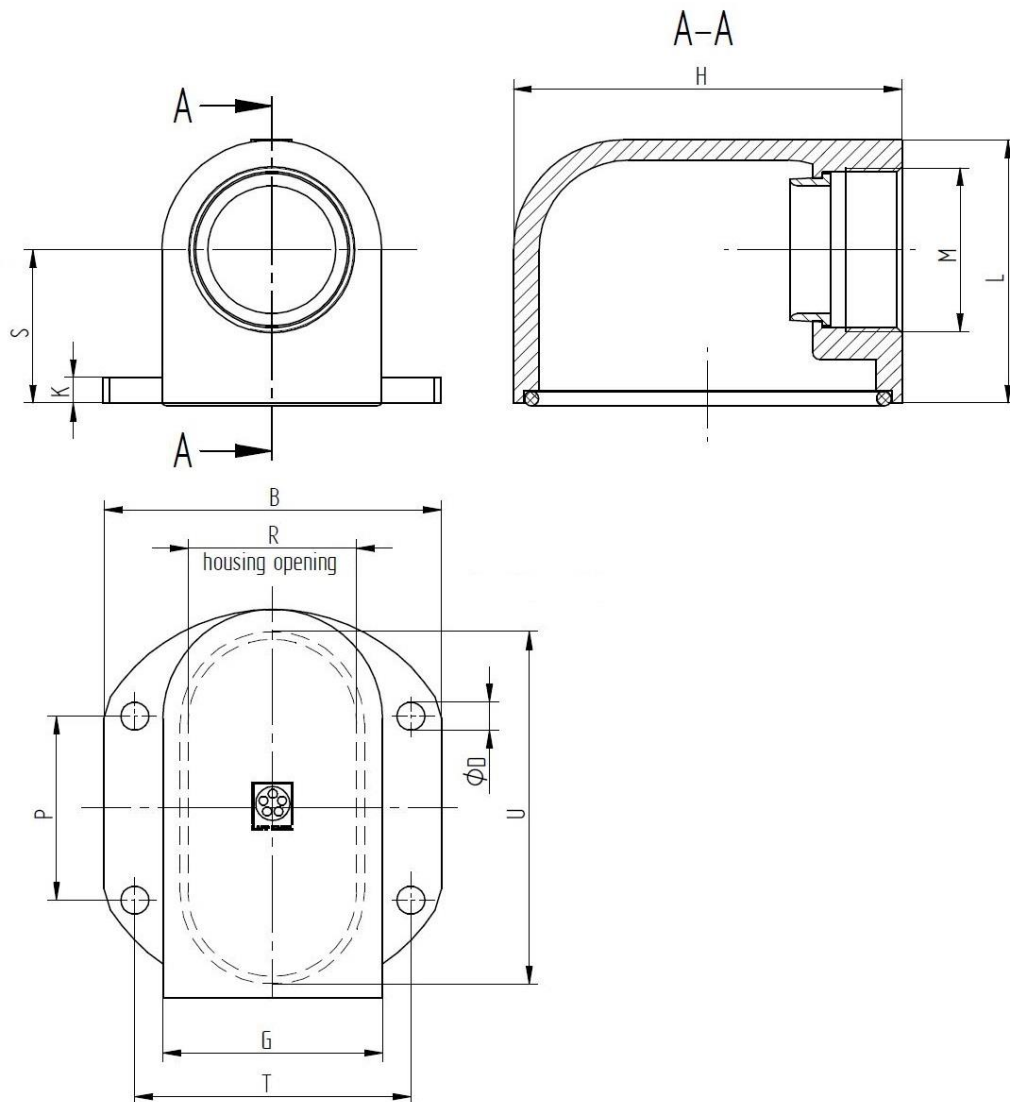
**SKINDICHT® SE-M without E+D M25x1.5**



M	B [mm]	Ø D [mm]	G [mm]	H [mm]	K [mm]	L [mm]	R [mm]	S [mm]	T [mm]	Article No.
M20x1,5	42	4,5	27	42	5	31	21	17,5	36	52108001
M25x1,5	60	5,2	35	60	7	40	27	22,5	52,5	52108011

52108001	<b>DATA SHEET</b>	
Valid from: 03.07.2018	<b>SKINDICHT® SE-M without E+D</b>	

**SKINDICHT® SE-M without E+D M32x1.5**



M	B [mm]	Ø D [mm]	G [mm]	H [mm]	K [mm]	L [mm]	P [mm]	R [mm]	S [mm]	T [mm]	U [mm]	Article No.
M32x1,5	66	5,5	43	76	5	51,5	36	33	30	54	66	52108021

For more information please see our current catalogue. Please do not hesitate to contact our laboratory if there are any questions regarding resistance against aggressive agents and special oil.

Creator: V.Charcenko /PDP Released: DAMU1/PDP	Document: DB52108001EN Version: 01	Page 3 of 3
--	---------------------------------------	-------------