


| | | |
|---------------------------|--|---|
| 52107800 | DATA SHEET |  |
| Valid from: 26.03.2021 | SKINDICHT® RWV-M / RWV-M O. E+D | |

The SKINDICHT® RWV-M is a zinc die-cast cable gland with 90° elbow. The locknut enables the angle gland to be installed in any position.



Component parts:

| | |
|---|---------------------------------|
| Angular housing | Zinc die-casting, nickel-plated |
| Pressure screw (Only exist in the version SKINDICHT RWV-M) | Brass, nickel-plated |
| Locknut | Brass, nickel-plated |
| Pressure washers (Only exist in the version SKINDICHT RWV-M) | Steel, zinc-plated |
| Incised sealing ring (Only exist in the version SKINDICHT RWV-M) | CR |
| O-ring | NBR |


Technical features:

| | |
|--|--|
| Connecting thread | M12x1,5 up to M40x1,5 acc. to EN 60423 |
| Temperature range | -20 °C up to +100 °C |
| Protection class (Does not apply to version SKINDICHT RWV-M O. E+D) | IP55 test acc. to EN 60529 |

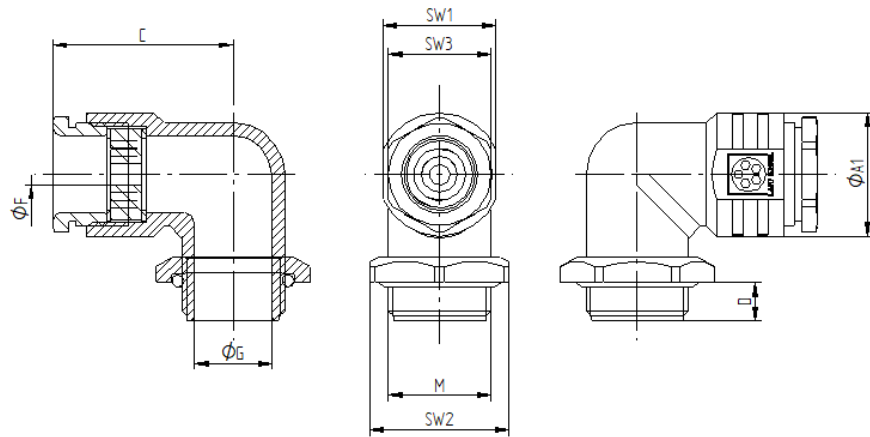
Norm references:



| | | |
|--|---------------------------------------|-------------|
| Creator: T. Dvoulety /PDP Released: DAMU1/PDP | Document: DB52107800EN Version: 08 | Page 1 of 3 |
|--|---------------------------------------|-------------|

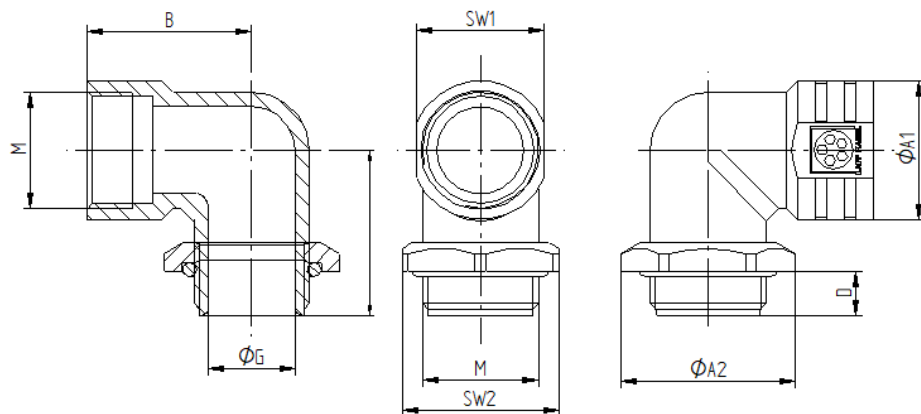
| | | |
|---------------------------|--|---|
| 52107800 | DATA SHEET |  |
| Valid from: 26.03.2021 | SKINDICHT® RWV-M / RWV-M O. E+D | |

SKINDICHT® RWV-M



| M | SW1 [mm] | SW3 [mm] | SW2 [mm] | Ø A1 [mm] | Ø A3 [mm] | C [mm] | D [mm] | Ø F [mm] incised sealing ring | Ø G [mm] | L [mm] | O-Ring [mm] | Article No. |
|---------|----------|----------|----------|-----------|-----------|--------|--------|----------------------------------|----------|--------|-------------|-------------|
| M12x1,5 | 14 | 12 | 17 | 16 | 18,9 | 26,1 | 6,5 | 5 | 8 | 20,5 | 11x2,5 | 52107800 |
| M16x1,5 | 18 | 16 | 22 | 20 | 24,5 | 28,6 | 6,5 | 3/6/9 | 12 | 23,5 | 15x2,5 | 52107810 |
| M20x1,5 | 22 | 20 | 27 | 24 | 30,1 | 35,1 | 7,5 | 4/7/10/13 | 15 | 28,5 | 19x2,5 | 52107820 |
| M25x1,5 | 27 | 25 | 32 | 29 | 35,7 | 38,1 | 8,5 | 8,5/11,5/14,5/17,5 | 20 | 31,0 | 24x2,5 | 52107830 |
| M32x1,5 | 34 | 32 | 41 | 36 | 45,6 | 44,6 | 8,5 | 16/19/22/25 | 27 | 33,5 | 30x2,5 | 52107840 |
| M40x1,5 | 42 | 40 | 46 | 45 | 50,6 | 53,1 | 10,5 | 23/26/29/32 | 35 | 43,0 | 38x2,5 | 52107850 |

SKINDICHT® RWV-M O. E+D



| M | SW1 [mm] | SW2 [mm] | Ø A1 [mm] | Ø A2 [mm] | B [mm] | D [mm] | Ø G [mm] | L [mm] | O-Ring [mm] | Article No. |
|---------|----------|----------|-----------|-----------|--------|--------|----------|--------|-------------|-------------|
| M12x1,5 | 14 | 17 | 16 | 18,9 | 21,0 | 6,5 | 8 | 20,5 | 11x2,5 | 52107801 |
| M16x1,5 | 18 | 22 | 20 | 24,5 | 23,0 | 6,5 | 12 | 23,5 | 15x2,5 | 52107811 |
| M20x1,5 | 22 | 27 | 24 | 30,1 | 28,5 | 7,5 | 15 | 28,5 | 19x2,5 | 52107821 |
| M25x1,5 | 27 | 32 | 29 | 35,7 | 30,0 | 8,5 | 20 | 31,0 | 24x2,5 | 52107831 |
| M32x1,5 | 34 | 41 | 36 | 45,6 | 36,5 | 8,5 | 27 | 33,5 | 30x2,5 | 52107841 |
| M40x1,5 | 42 | 46 | 45 | 50,6 | 43,0 | 10,5 | 35 | 43,0 | 38x2,5 | 52107851 |

| | | |
|---------------------------|--|---|
| 52107800 | DATA SHEET |  |
| Valid from: 26.03.2021 | SKINDICHT® RWV-M / RWV-M O. E+D | |

For more information please see our current catalogue. Please do not hesitate to contact our laboratory if there are any questions regarding resistance against aggressive agents and special oil.

| | | |
|--|---------------------------------------|-------------|
| Creator: T. Dvoulety /PDP Released: DAMU1/PDP | Document: DB52107800EN Version: 08 | Page 3 of 3 |
|--|---------------------------------------|-------------|