


52106700	DATA SHEET	
Valid from: 03.07.2018	SKINDICHT® SHZ-M / SHZ-M-XL	

The SKINDICHT® SHZ-M / SHZ-M-XL are compact brass cable glands with a single clamp for reliable strain relief. Sealing is achieved by an incised sealing ring and an O-ring fitted at the connecting thread. The cable gland is particularly suitable for use in plugs, switches and control panels. The SKINDICHT® SHZ-M-XL is constructed identically as SKINDICHT® SHZ-M, but with long connecting thread.



Components:

Gland body	Brass, nickel-plated
Pressure screw with single clamp	Brass, nickel-plated
Incised sealing ring	CR
Pressure washers	Steel, zinc-plated
O-Ring	NBR


Technical features:

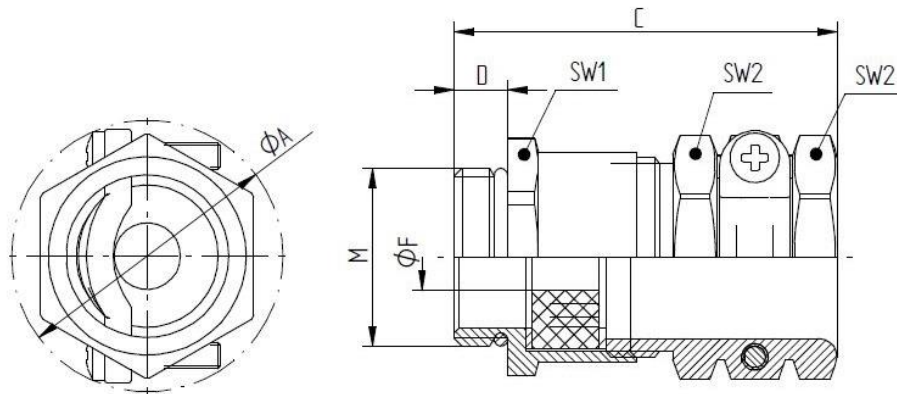
Connecting thread	M12x1,5 up to M63x1,5 acc. to EN 60423
Protection class	IP55 acc. to EN 60529
Temperature range	-20 °C up to +80 °C

Norm references:



Creator: T. Dvoulety /PDP Released: DAMU1/PDP	Document: DB52106700EN Version: 02	Page 1 of 2
--	---------------------------------------	-------------

52106700	DATA SHEET	
Valid from: 03.07.2018	SKINDICHT® SHZ-M / SHZ-M-XL	



SKINDICHT® SHZ-M

M	SW1 [mm]	SW2 [mm]	Ø A [mm]	C [mm] max	D [mm]	Ø F [mm] Incised sealing ring	O-Ring [mm]	Article No.
M12x1,5	14	15	24	30,0	5	5	9x1,5	52106700
M16x1,5	18	17	28	33,0	5	5/8	13x1,5	52106710
M20x1,5	22	20	30	35,0	6	7/10/12,5	17x1,5	52106720
M20x1,5	22	22	34	39,5	6	7/10,5/13/16	17x1,5	52106730
M20x1,5	24	24	36	41,5	6	8/10,5/13,5/16	17x1,5	52106740
M25x1,5	30	30	46	47,5	7	11/15/18/20	22x2	52106750
M32x1,5	40	41	59	53,0	8	19/23/27/31	28x2	52106760
M40x1,5	50	50	73	60,0	8	25/28/31/35	36x2	52106770
M50x1,5	57	57	79	65,0	9	35,5/39/42,5/46	46x2	52106780
M63x1,5	66	64	87	68,0	10	40,5/44/47/50,5	57x2	52106790

SKINDICHT® SHZ-M-XL

M	SW1 [mm]	SW2 [mm]	Ø A [mm]	C [mm] max	D [mm]	Ø F [mm] Incised sealing ring	O-Ring [mm]	Article No.
M12x1,5	14	15	24	35,0	10	5	9x1,5	52106705
M16x1,5	18	17	28	38,0	10	5/8	13x1,5	52106715
M20x1,5	22	20	30	39,0	10	7/10/12,5	17x1,5	52106725
M20x1,5	22	22	34	43,5	10	7/10,5/13/16	17x1,5	52106735
M20x1,5	24	24	36	45,5	10	8/10,5/13,5/16	17x1,5	52106745
M25x1,5	30	30	46	51,0	11	11/15/18/20	22x2	52106755
M32x1,5	40	41	59	58,0	13	19/23/27/31	28x2	52106765
M40x1,5	50	50	73	67,0	13	25/28/31/35	36x2	52106775
M50x1,5	57	57	79	70,0	14	35,5/39/42,5/46	46x2	52106785
M63x1,5	66	64	87	73,0	14	40,5/44/47/50,5	57x2	52106795

For more information please see our current catalogue. Please do not hesitate to contact our laboratory if there are any
 For more information please see our current catalogue. Please do not hesitate to contact our laboratory if there

Creator: T. Dvoulety /PDP Released: DAMU1/PDP	Document: DB52106700EN Version: 02	Page 2 of 2
--	---------------------------------------	-------------