


52103405	DATA SHEET	
Valid from: 03.07.2018	SKINDICHT® BL-M hexagonal	

The SKINDICHT® BL-M hexagonal brass blind plugs with metric thread for ensuring the unused threaded holes are closed and sealed, incl. O-Ring.



Components:

Body	Brass, nickel-plated
O-Ring	NBR (On request VITON® O-Ring)

Technical features:


Connecting thread	M12x1,5 up to M63x1,5 acc. to EN 60423
Protection class	IP68 - 5bar, test acc. to EN 60529
Temperature range	-30 °C up to +100 °C

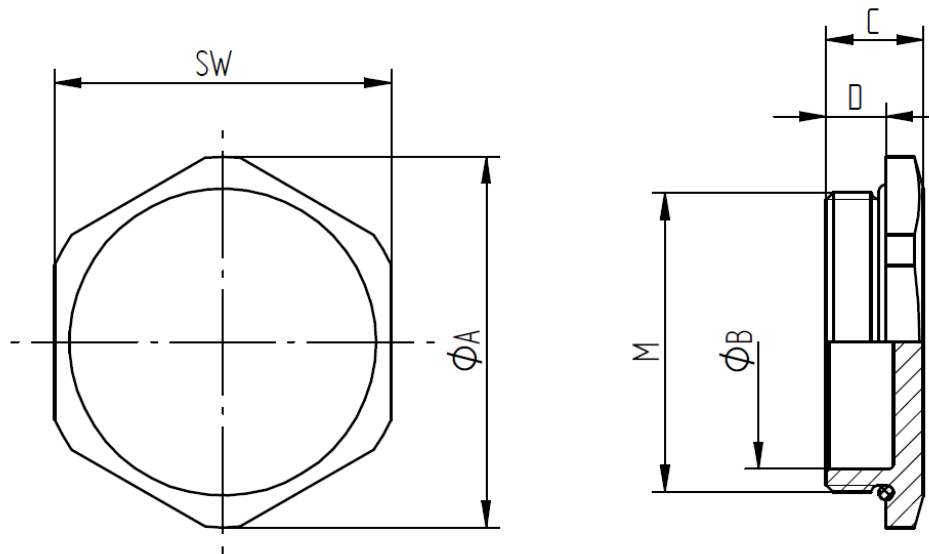
Norm references:



VITON® is a registered trademark of DuPont de Nemours.

Creator: T. Dvoulety /PDP Released: DAMU1/PDP	Document: DB52103405EN Version: 02	Page 1 of 2
--	---------------------------------------	-------------

52103405	DATA SHEET	
Valid from: 03.07.2018	SKINDICHT® BL-M hexagonal	



Thread M	SW [mm]	Ø A [mm]	Ø B [mm]	C [mm]	D [mm]	Article No.
M12x1,5	16	17,8	8,2	8	5	52103405
M16x1,5	20	22	12,1	8	5	52103415
M20x1,5	24	26,4	16	9,5	6	52103425
M25x1,5	29	31,9	20	11	7	52103435
M32x1,5	36	39,6	26,2	12	8	52103445
M40x1,5	45	49,5	33,8	13	8	52103455
M50x1,5	54	59	42,2	15	9	52103465
M63x1,5	67	73,5	55	16	10	52103475

For more information please see our current catalogue. Please do not hesitate to contact our laboratory if there are any questions regarding resistance against aggressive agents and special oil.

Creator: T. Dvoulety /PDP Released: DAMU1/PDP	Document: DB52103405EN Version: 02	Page 2 of 2
--	---------------------------------------	-------------