


52103105	DATA SHEET	
Valid from: 14.10.2020	SKINDICHT® BL-M with O-Ring	

SKINDICHT® BL-M blind plugs are used wherever already existing housing holes are not yet required or no longer required. Our blind plug model is equipped with a screwing slit, which makes installation significantly easier. The SKINDICHT® BL-M is qualified for using by machine-, apparatus construction and drives.



Components:

Blind plug	Brass, nickel-plated
O-Ring	NBR

Technical features:

Connecting thread	M12x1,5 up to M75 x1,5 acc. to EN 60423
Protection class	IP68 (10bar/30min) acc. to EN 60529
Temperature range	-20 °C up to +100 °C

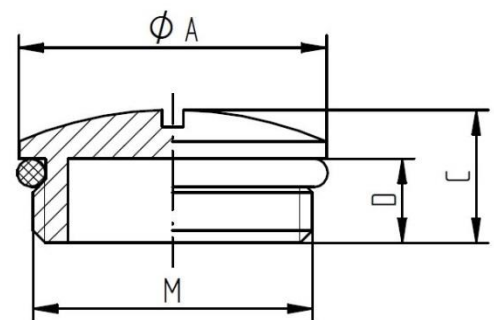
Norm references:



File No.: e79903

(except size M75x1,5)

M	Ø A [mm]	C [mm]	D [mm]	O-Ring [mm]	Article No.
M12x1,5	14	7,5	5	9 x 2	52103105
M16x1,5	18	8	5	13 x 2	52103115
M20x1,5	22	9,5	6	17 x 2	52103125
M25x1,5	28	11	7	22 x 2	52103135
M32x1,5	35	12	8	28 x 2	52103145
M40x1,5	44	13	9	36 x 2	52103155
M50x1,5	54	15	9	46 x 2	52103165
M63x1,5	70	16	10	57 x 2	52103175
M75x1,5	80	17	11	65 x 2	52103195



For more information please see our current catalogue. Please do not hesitate to contact our laboratory if there are any questions regarding resistance against aggressive agents and special oil.

Creator: T. Dvoulety /PDP Released: DAMU1/PDP	Document: DB52103105EN Version: 04	Page 1 of 1
--	---------------------------------------	-------------