

52103100	DATA SHEET	
Valid from: 14.10.2020	SKINDICHT® BL-M	

SKINDICHT® BL-M blind plugs are used wherever already existing housing holes are not yet required or no longer required. Our blind plug model is equipped with a screwing slit, which makes installation significantly easier. The SKINDICHT® BL-M is qualified for using by machine-, apparatus construction and drives.



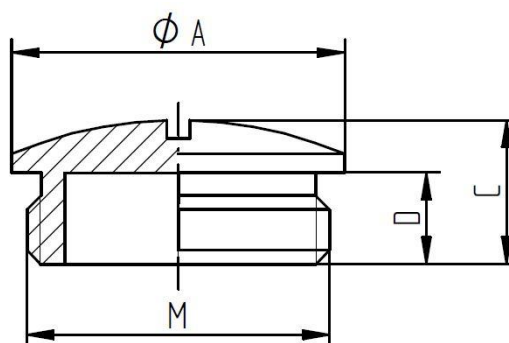
Technical features:

Material	Brass, nickel-plated
Connecting thread 60423	M12x1,5 up to M75 x1,5 acc. to EN
Protection class	IP54 acc. to EN 60529
Temperature range	-60 °C up to +200 °C

Norm references:



File No.: e79903



M	Ø A [mm]	C [mm]	D [mm]	Article No.
M12x1,5	14	7,5	5	52103100
M16x1,5	18	8	5	52103110
M20x1,5	22	9,5	6	52103120
M25x1,5	28	11	7	52103130
M32x1,5	35	12	8	52103140
M40x1,5	44	13	9	52103150
M50x1,5	54	15	9	52103160
M63x1,5	70	16	10	52103170
M75x1,5	80	17	11	52103190

For more information please see our current catalogue. Please do not hesitate to contact our laboratory if there are any questions regarding resistance against aggressive agents and special oil.

Creator: T. Dvoulety /PDP Released: DAMU1/PDP	Document: DB52103100EN Version: 04	Page 1 of 1
--	---------------------------------------	-------------