


52101965	DATA SHEET	
Valid from: 03.07.2018	SKINDICHT® MR-M hexagonal	

The SKINDICHT® MR-M hexagonal is a brass reducer with guide way for O-Ring (thread undercut). The Reducers enables the use of cable glands with smaller outer threads than the existing threaded holes on machinery, devices and housings.



Components:

Material	Brass, nickel-plated (external thread M16x1,5 up to M80x2)
O-ring	NBR (on request FKM)


Technical features:

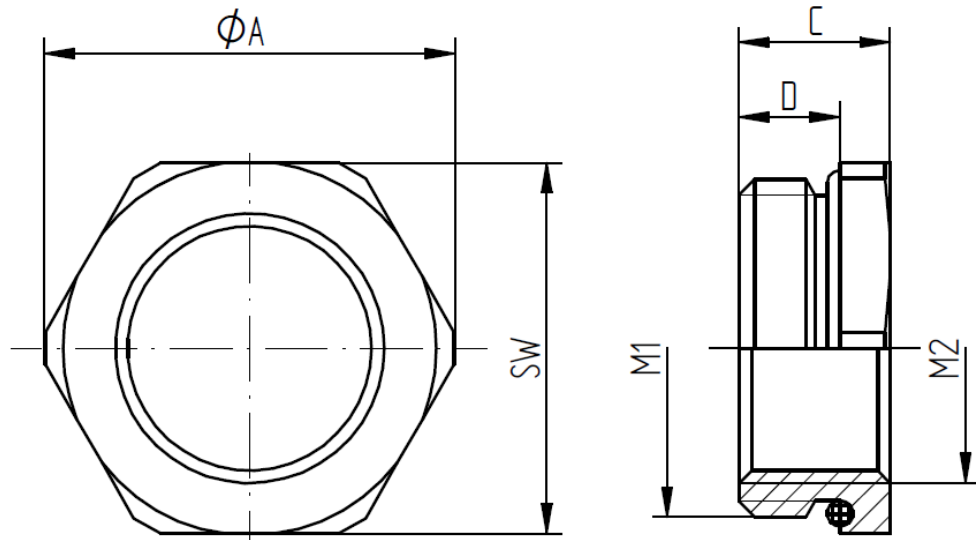
External thread	M16x1.5 up to M80x2 acc. to EN 60423
Internal thread	M12x1.5 up to M63x1.5 acc. to EN 60423
Temperature range	-30 °C up to +100 °C
Protection class	IP68 – 5 bar, test acc. to EN 60529

Norm references:



Creator: M. Wegerer /PDP Released: DAMU1/PDP	Document: DB52101965EN Version: 06	Page 1 of 2
---	---------------------------------------	-------------

52101965	DATA SHEET	
Valid from: 03.07.2018	SKINDICHT® MR-M hexagonal	



External thread M1	Internal thread M2	SW [mm]	Ø A [mm]	C [mm]	D [mm]	Article No.
M16x1,5	M12x1,5	18	20,2	8,5	5,5	5210 1965
M20x1,5	M16x1,5	22	24,4	9	6	5210 1966
M25x1,5	M16x1,5	28	31,2	10	6,5	5210 1967
M25x1,5	M20x1,5	28	31,2	10	6,5	5210 1968
M32x1,5	M16x1,5	36	40	11,5	8	5210 1969
M32x1,5	M20x1,5	36	40	11,5	8	5210 1972
M32x1,5	M25x1,5	36	40	11,5	8	5210 1973
M40x1,5	M25x1,5	43	47,5	12,5	8,5	5210 1974
M40x1,5	M32x1,5	43	47,5	12,5	8,5	5210 1975
M50x1,5	M40x1,5	54	58	14	10	5210 1976
M63x1,5	M50x1,5	67	73,5	14	9,5	5210 1977
M75x1,5	M63x1,5	80	90	17	11	5210 1979
M80x2	M63x1,5	85	93,5	23	15	5200 6563

For more information please see our current catalogue. Please do not hesitate to contact our laboratory if there are any questions regarding resistance against aggressive agents and special oil.

Creator: M. Wegerer /PDP Released: DAMU1/PDP	Document: DB52101965EN Version: 06	Page 2 of 2
---	---------------------------------------	-------------