


| | | |
|---------------------------|--------------------------|---|
| 52015700 | DATA SHEET |  |
| Valid from: 03.07.2018 | SKINTOP® MS / MSR | |

The SKINTOP® MS/MSR, a nickel-plated brass cable gland which combines high quality with regard to consistency and reliability, is especially designed for use in manufacturing of machines and equipment, in measuring, controlling as well as in the pharmaceutical industry and for medical equipment.



Components:

| | |
|---------------------------|-------------------------------|
| Gland body | Brass, nickel-plated |
| Cap nut | Brass, nickel-plated |
| Insert with lamellar cage | Polyamide |
| Sealing ring | CR (ozone- and UV-resistant) |
| O-ring | NBR (ozone- and UV-resistant) |

Technical features:

| | |
|-------------------|--|
| Connecting thread | PG7 up to PG48 acc. to DIN 40430 |
| Protection class | IP68 - 5 bar, test acc. to EN 60529 |
| Temperature range | Dynamic -25 °C up to +100 °C Statically -40 °C up to +100 °C |
| Design | MS Standard MSR with reducing sealing ring |


Recommended torque rates in acc. to DIN VDE 0619

| | |
|------------------|---------|
| PG7 up to PG13.5 | 6.25 Nm |
| PG16 | 7.5 Nm |
| PG21 up to PG48 | 10.0 Nm |

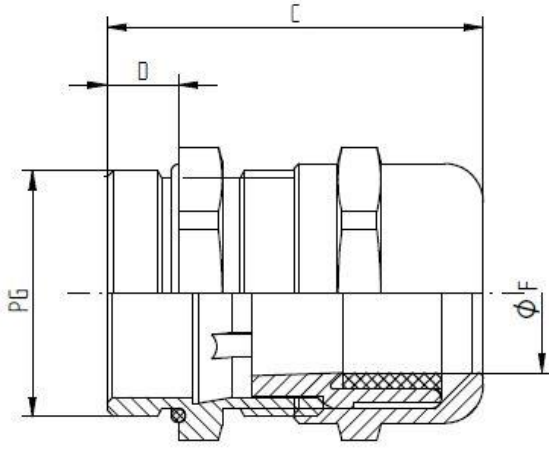
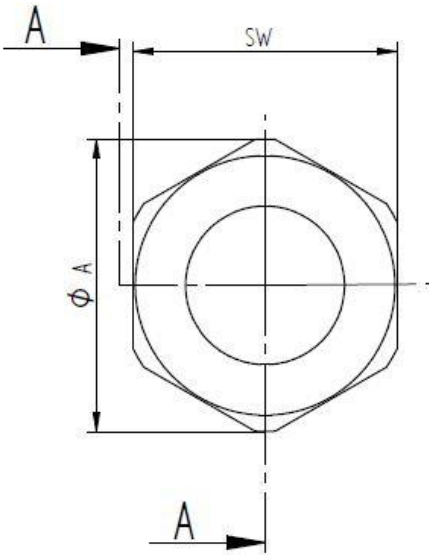
Norm references:



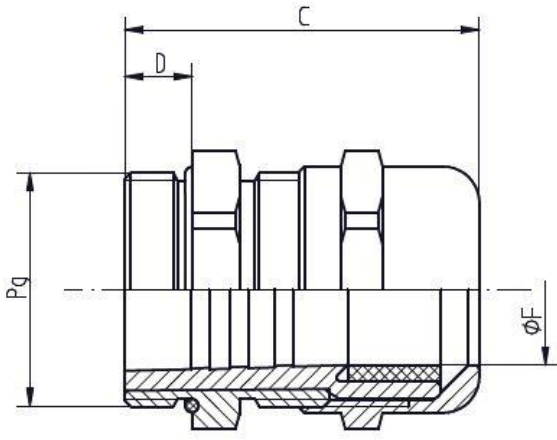
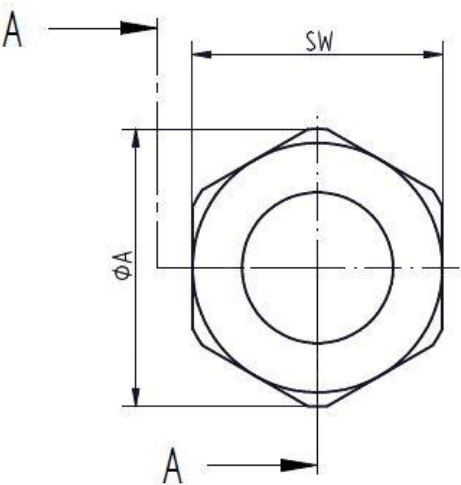
| | | |
|---|---------------------------------------|-------------|
| Creator: M. Wegerer /PDP Released: DAMU1/PDP | Document: DB52015700EN Version: 07 | Page 1 of 3 |
|---|---------------------------------------|-------------|

| | | |
|---------------------------|--------------------------|---|
| 52015700 | DATA SHEET |  |
| Valid from: 03.07.2018 | SKINTOP® MS / MSR | |


**Design SKINTOP® MS / MSR
PG7 up to PG36**



**Design SKINTOP® MS / MSR
PG42 and PG48**



We reserve all rights according to DIN ISO 16016.
PD 0019/05_04.18EN

| | | |
|---------------------------|--------------------------|---|
| 52015700 | DATA SHEET |  |
| Valid from: 03.07.2018 | SKINTOP® MS / MSR | |

SKINTOP® MS

| PG | SW [mm] | Ø A [mm] | C [mm] | | D [mm] | Ø F [mm] Clamping range | Article No. |
|--------|------------|-------------|--------|------|-----------|----------------------------|-------------|
| | | | min. | max. | | | |
| PG7 | 14 | 15,5 | 20 | 25 | 5 | 2 - 6,5 | 52015700 |
| PG9 | 17 | 18,9 | 23,5 | 29 | 6 | 4 - 8 | 52015710 |
| PG11 | 20 | 22,2 | 25,5 | 32 | 6 | 4 - 10 | 52015720 |
| PG13,5 | 22 | 24,4 | 26 | 34 | 6,5 | 5 - 12 | 52015730 |
| PG16 | 24 | 26,7 | 27,8 | 35 | 6,5 | 8 - 14 | 52015740 |
| PG21 | 30 | 33,5 | 31,5 | 40 | 7 | 11 - 18 | 52015750 |
| PG29 | 40 | 43,5 | 37,2 | 48 | 8 | 16 - 25 | 52015760 |
| PG36 | 50 | 54 | 49,8 | 62 | 15 | 19 - 32 | 52015765 |
| PG42 | 57 | 61 | 53 | 62 | 15 | 28 - 38 | 52015766 |
| PG48 | 64 | 69 | 51,8 | 62 | 15 | 34 - 44 | 52015767 |

SKINTOP® MSR

| PG | SW [mm] | Ø A [mm] | C [mm] | | D [mm] | Ø F [mm] Clamping range | Article No. |
|--------|------------|-------------|--------|------|-----------|----------------------------|-------------|
| | | | min. | max. | | | |
| PG7 | 14 | 15,5 | 20 | 25 | 5 | 2 - 5 | 52015770 |
| PG9 | 17 | 18,9 | 23,5 | 29 | 6 | 2 - 6 | 52015780 |
| PG11 | 20 | 22,2 | 25,5 | 32 | 6 | 3 - 7 | 52015790 |
| PG13,5 | 22 | 24,4 | 26 | 34 | 6,5 | 4 - 9 | 52015800 |
| PG16 | 24 | 26,7 | 27,8 | 35 | 6,5 | 6 - 13 | 52015810 |
| PG21 | 30 | 33,5 | 31,5 | 40 | 7 | 8 - 16 | 52015820 |
| PG29 | 40 | 43,5 | 37,2 | 48 | 8 | 10,5 - 20 | 52015830 |
| PG36 | 50 | 54 | 49,8 | 62 | 15 | 19 - 26 | 52015831 |
| PG42 | 57 | 61 | 53 | 62 | 15 | 24 - 31 | 52015832 |
| PG48 | 64 | 69 | 51,8 | 62 | 15 | 28 - 35 | 52015833 |

For more information please see our current catalogue. Please do not hesitate to contact our laboratory if there are any questions regarding resistance against aggressive agents and special oil.

| | | |
|---|---------------------------------------|-------------|
| Creator: M. Wegerer /PDP Released: DAMU1/PDP | Document: DB52015700EN Version: 07 | Page 3 of 3 |
|---|---------------------------------------|-------------|