

52003490	DATA SHEET	
Valid from: 03.07.2018	SKINDICHT® SM	

The SKINDICHT® SM is a nickel-plated brass locknut with PG-thread. It is required wherever a gland must be secured or thin housing walls allow only through-holes.

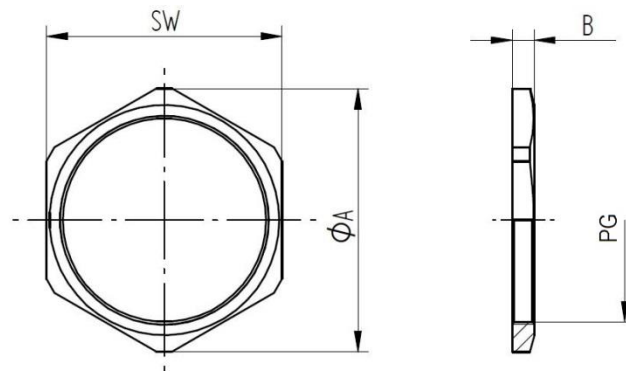


Technical features:

Size PG7 up to PG48, thread acc. to DIN 40430
Material Brass, nickel-plated
Temperature range -60°C up to +200°C



Norm references:



Thread PG	Wrench Size SW mm	Diameter Ø A mm	Thickness B mm	Article No.
PG 7	15	16,6	2,8	52003490
PG 9	18	20	2,8	52003500
PG 11	21	23,5	3	52003510
PG 13,5	23	25,5	3	52003520
PG 16	26	29	3	52003530
PG 21	32	35,5	3,5	52003540
PG 29	41	45	3,5	52003550
PG 36	51	56	5	52003560
PG 42	60	65	5	52003570
PG 48	64	69	5,5	52003580

For more information please see our current catalogue. Please do not hesitate to contact our laboratory if there are any questions regarding resistance against aggressive agents and special oil.

Creator: M. Wegerer /PDP Released: DAMU1/PDP	Document: DB52003490EN Version: 04	Page 1 of 1
---	---------------------------------------	-------------