

52000110	DATA SHEET	
Valid from: 03.07.2018	SKINDICHT® GMK	

The SKINDICHT® GMK is a hexagonal locknut of polystyrene in accordance with DIN 46320 and used where cable glands are attached but there is only a through-hole.

When the cable gland is fixed in a threaded opening, higher vibration resistance can be attained with this locknut.



Technical features:

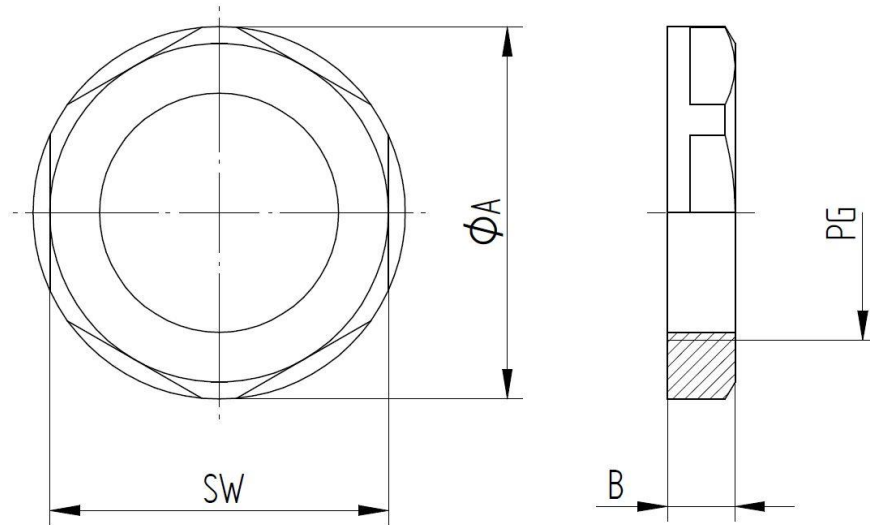
Material	Polystyrene
Sizes	PG7 up to PG48 acc. to DIN 40430
Temperature range	-20 °C up to +60 °C
Colour	RAL 7035 (light-grey)

Norm references:



Creator: M. Jurak /PDP Released: DAMU1/PDP	Document: DB52000110EN Version: 02	Page 1 of 2
---	---------------------------------------	-------------

52000110	DATA SHEET	
Valid from: 03.07.2018	SKINDICHT® GMK	



PG-thread	SW [mm]	Ø A [mm]	B [mm]	Article No.
PG 7	19	21	5	52000110
PG 9	22	24	5	52000120
PG 11	24	26	5	52000130
PG 13,5	27	29	6	52000140
PG 16	30	33	6	52000150
PG 21	36	39	7	52000160
PG 29	46	50	7	52000170
PG 36	60	66	8	52000180
PG 42	65	73	8	52000190
PG 48	70	78	8	52000200

For more information please see our current catalogue. Please do not hesitate to contact our laboratory if there are any questions regarding resistance against aggressive agents and special oil.

Creator: M. Jurak /PDP Released: DAMU1/PDP	Document: DB52000110EN Version: 02	Page 2 of 2
---	---------------------------------------	-------------