


44429015	DATA SHEET	
Valid from: 17.09.2018	EPIC® H-A 3 MAGD	

Description

- Innovative metal and plastic housing design
- Housing in plastic or metal version. For power supply in the smallest possible space



General characteristics

Series	H-A 3
Version	Panel-mount base
Locking mechanism	single lever
Protective cover	yes
Protection rating, cover (DIN EN 60529)	IP 44 (latched)
Protection rating, mated connector (DIN EN 60529)	IP 65 (latched)
Protection (NEMA 250, UL50E)	4, 12 (latched)
Temperature Range	-40°C to +100°C, short-term up to +125°C

Materials and surfaces

Housing, base material	Zinc die-casting
Housing, surface	Powder-coated, grey
Lever	Steel, zinc-plated
Gasket	NBR


Approvals

VDE-Zulassung, VDE-REG.-Nr.	B437
-----------------------------	------

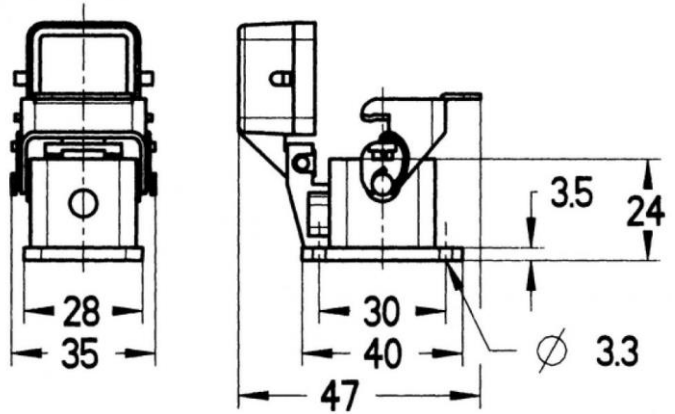
Standard

Safety Standard	IEC 61984
-----------------	-----------

Creator: MANA2/PDP Released: IVSE1/PDP	Document: DB44429015EN Version: 01	Page 1 of 2
-------------------------------------------	---------------------------------------	-------------

44429015	DATA SHEET	
Valid from: 17.09.2018	EPIC® H-A 3 MAGD	

Drawings



Industrial machinery and plant engineering



Mechanical resistance



Robust



Waterproof

Info

Compact, robust metal housings size H-A 3

Application range

Machine and equipment manufacturing
Control engineering
Electronic laboratory

Remark

Photographs are not to scale and do not represent detailed images of the respective products.

Creator: MANA2/PDP Released: IVSE1/PDP	Document: DB44429015EN Version: 01	Page 2 of 2
-------------------------------------------	---------------------------------------	-------------