


44423231	DATA SHEET	
Valid from: 10.05.2019	EPIC® MHB Bus 1x(4) CM	

Description

- Shielded modul for data and signal transmission
- Crimp connection for permanent vibration-proof contact
- EPIC® MH system is mateable with the market standard
- The mix of different functions is one plug guarantees high flexibility



General characteristics

Contact type	socket
Number of contacts	4
Mating cycles	500
Material	PA
Inflammability class acc. with UL 94	V0
Pollution degree	3
Temperatue range	-40° C to +125° C
Termination methods	crimp termination: 0.14 – 2.50 mm ²


Electrical characteristics

Rated voltage	50 V
Rated impuls voltage	0.8 kV
Rated current	10 A

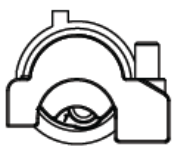
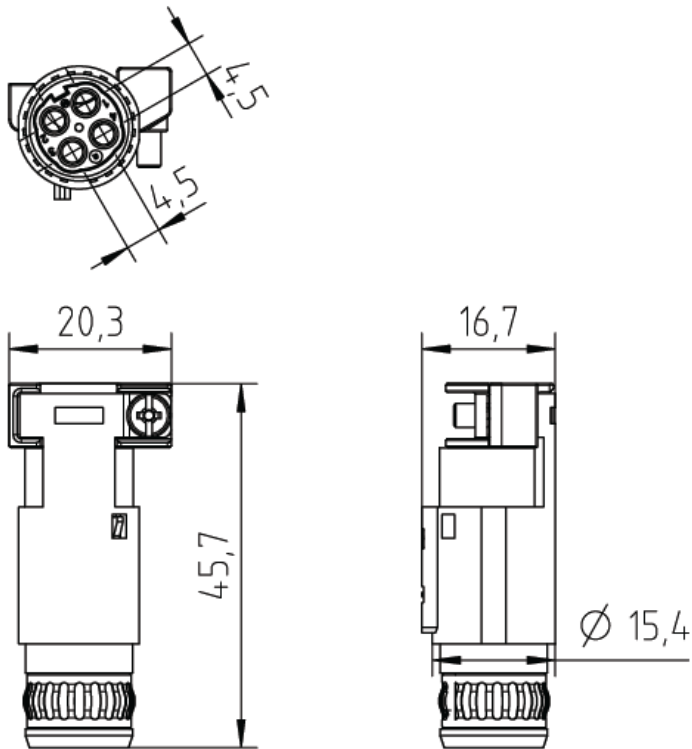
Standards/Approvals

Fire protection on railway vehicles	according EN 45545-2 requirement sets R22 and R23 hazard level HL1, HL2 and HL3
-------------------------------------	---

Creator: JOKR1/PDP Released: IVSE1/PDP	Document: DB44423231EN Version: 02	Page 1 of 2
---	---------------------------------------	-------------

44423231	DATA SHEET	
Valid from: 10.05.2019	EPIC® MHB Bus 1x(4) CM	

Drawings



Note

Photographs are not to scale and do not represent detailed images of the respective products.

Creator: JOKR1/PDP Released: IVSE1/PDP	Document: DB44423231EN Version: 02	Page 2 of 2
---	---------------------------------------	-------------