

44422018	DATA SHEET	
Valid from: 17.09.2018	EPIC® H-B 16 TGH 2X	

Description

- The housing standard.
- Wide choice for all applications.



General Characteristics

Series	H-B 16
Version	Hood M25 / M32 (Article 79128600)
Locking	Bolts for double lever
Gland body	No
Cable entry	2 Straight
Protection (DIN EN 60529)	IP 65 (latched)
Protection (NEMA 250, UL50E)	4, 12 (latched)
Temperature Range	-40°C to +100°C, short term up to +125°C

Materials and Surfaces

Housing	Aluminium alloy, powder-coated, grey
Bolt	Heat-treatable steel, zinc-plated

Approvals

VDE-Approval, VDE-REG.-Nr.	B437
----------------------------	------

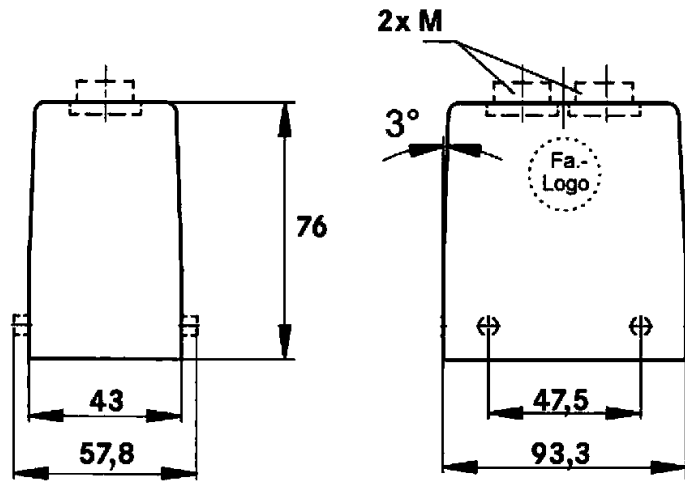
Standard

Safety Standard	IEC 61984
-----------------	-----------

Creator: MANA2/PDP Released: IVSE1/PDP	Document: DB44422018EN Version: 01	Page 1 of 2
---	---------------------------------------	-------------

44422018	DATA SHEET	
Valid from: 17.09.2018	EPIC [®] H-B 16 TGH 2X	

Technical Drawings



Automation



Industrial machinery and plant engineering



Mechanical resistance



Robust



Waterproof

Info

Universal, robust metal housings size H-B 16

Application range

Plant engineering
Light & sound technology
Plastics industry

Remark

Photographs are not to scale and do not represent detailed images of the respective products.

Creator: MANA2/PDP Released: IVSE1/PDP	Document: DB44422018EN Version: 01	Page 2 of 2
---	---------------------------------------	-------------