


24420055	DATA SHEET	
Valid from: 28.07.2021	EPIC[®] SIGNAL M23 A3 N	

Description

- Circular connectors for servo cables and encoders
- Housings are very flexible - cable connectors with wide clamping range, receptacle housings for assembling the inserts from the front and rear
- Permanent vibration protection



General characteristics

Series	SIGNAL M23
Version	panel-mount connector, angled, rotatable, front wall mounting
Protection rating	IP 65
Temperature range	-25°C to +125°C

Product variations

Article number	Coding	Fastening type	PU
24420055	black (N)	Ø2,7mm (4x)	5
24420054	black (N)	Ø2,7mm (4x)	20

Materials and surfaces

Housing	Blue chromated (CrVI free), zinc die-casting
Sealing	FPM/FKM

Approvals


UL File Number	E249137
----------------	---------



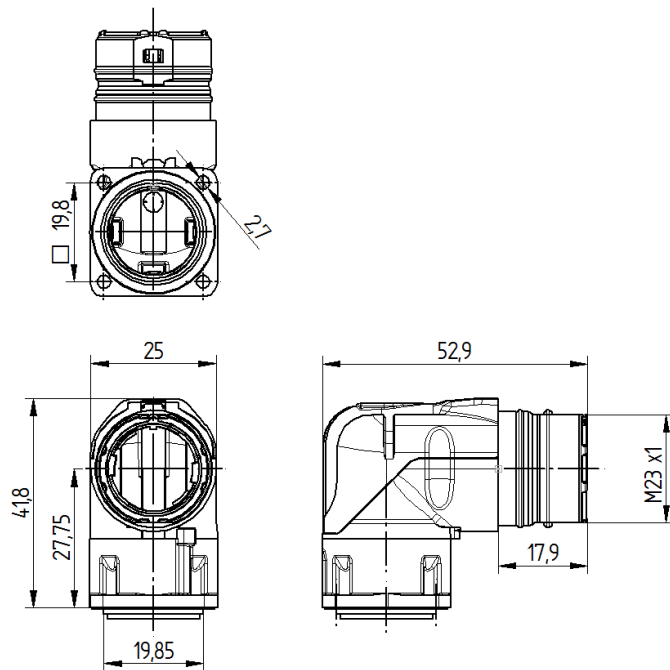
Standard

Safety Standard	IEC 61984; UL 2238; CSA 22.2 182.3
-----------------	------------------------------------

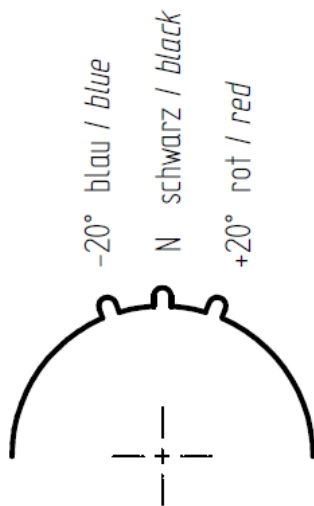
Creator: STKU3/PDP Released: IVSE1/PDP	Document: DB24420055EN Version: 05	Page 1 of 3
---	---------------------------------------	-------------

24420055	DATA SHEET	
Valid from: 28.07.2021	EPIC [®] SIGNAL M23 A3 N	

Drawings




Codierung



A3

Ansicht steckseitig
view from mating side

Creator: STKU3/PDP Released: IVSE1/PDP	Document: DB24420055EN Version: 05	Page 2 of 3
---	---------------------------------------	-------------

24420055	DATA SHEET	
Valid from: 28.07.2021	EPIC[®] SIGNAL M23 A3 N	



Good chemical resistance



Industrial machinery and plant engineering



Robust



Waterproof



Wind energy

Info

Rotateable with clearly defined adjustment positions

Application range

Plant engineering

Servo drives and Servo assemblies

Measurement and control technology

Remark

Photographs are not to scale and do not represent detailed images of the respective products.

Creator: STKU3/PDP Released: IVSE1/PDP	Document: DB24420055EN Version: 05	Page 3 of 3
---	---------------------------------------	-------------