


10073000	DATA SHEET	
Valid from: 17.09.2018	EPIC® H-B 16 AD-BO	

Description

- The housing standard.
- Wide choice for all applications.



General Characteristics

Series	H-B 16
Version	Panel mount base
Protection cover	Yes
Locking	Bolts for double lever
Protection (DIN EN 60529)	IP 65 (latched) IP 40 (cover closed)
Protection (NEMA 250 UL50E)	4, 12 (latched)
Temperature Range	-40°C to +100°C, short term up to +125°C

Materials and Surfaces

Housing	Aluminium alloy, powder-coated, grey
Cover	Zink alloy, powder-coated, grey
Lever	Steel, zinc-plated
Sealing	NBR


Approvals

VDE-Approval, VDE-REG.-Nr.	B437
----------------------------	------

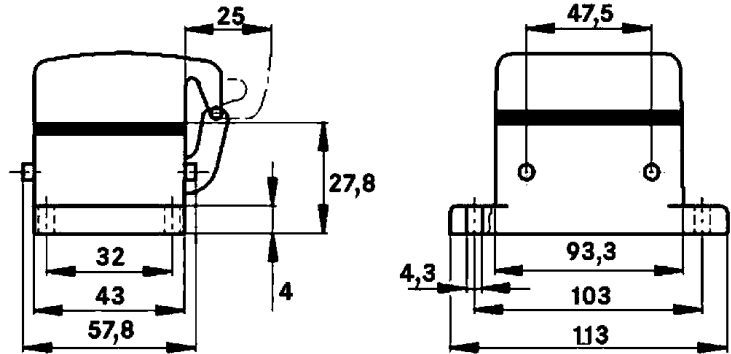
Standard

Safety Standard	IEC 61984
-----------------	-----------

Creator: MANA2/PDP Released: IVSE1/PDP	Document: DB10073000EN Version: 02	Page 1 of 2
---	---------------------------------------	-------------

10073000	DATA SHEET	
Valid from: 17.09.2018	EPIC® H-B 16 AD-BO	

Technical Drawings



Automation



Industrial machinery and plant engineering



Mechanical resistance



Robust



Waterproof

Info

Universal, robust metal housings size H-B 16

Application range

Plant engineering
Light & sound technology
Plastics industry

Remark

Photographs are not to scale and do not represent detailed images of the respective products.

Creator: MANA2/PDP Released: IVSE1/PDP	Document: DB10073000EN Version: 02	Page 2 of 2
---	---------------------------------------	-------------