


10007000	<b>DATA SHEET</b>	
Valid from: 04.06.2019	<b>EPIC® H-B 6 SDR-LB</b>	

## Description

- The smallest housing out of the H-B series.
- For inserts with high properties.



## General Characteristics

Series	H-B 6
Version	Socket housing PG 16
Protection cover	Yes
Locking	Single lever
Cable entry	1
Protection (DIN EN 60529)	IP 65 (latched)
Protection (NEMA 250, UL50E)	4, 12 (latched)
Temperature Range	-40 °C to +100 °C, short term up to +125 °C

## Materials and Surfaces

Housing	Aluminium alloy, powder-coated, grey
Cover	Zink alloy, powder-coated, grey
Bolt	Heat-treatable steel, zinc-plated
Lever	Steel, zinc-plated
Profile Seal	NBR


## Approvals

VDE-Approval, VDE-REG.-Nr.	B437
----------------------------	------

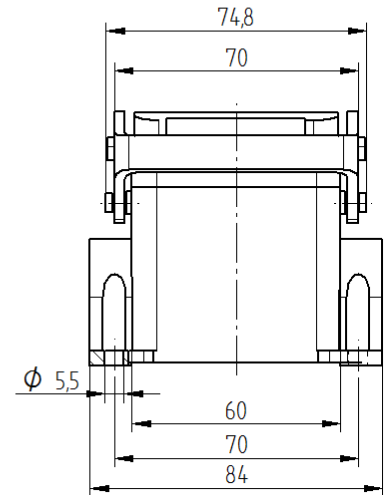
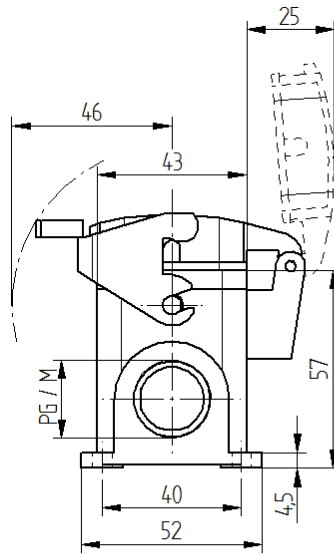
## Standard

Safety Standard	IEC 61984
-----------------	-----------

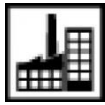
Creator: TODV1/PDP Released: VACH1/PDP	Document: DB10007000EN Version: 02	Page 1 of 2
---	---------------------------------------	-------------

10007000	<b>DATA SHEET</b>	
Valid from: 04.06.2019	<b>EPIC® H-B 6 SDR-LB</b>	

## Technical Drawings



Automation



Industrial machinery and plant engineering



Mechanical resistance



Robust



Waterproof

### Info

Universal, robust metal housings size H-B 6

### Application range

Plant engineering  
Control engineering  
Plastics industry

### Remark

Photographs are not to scale and do not represent detailed images of the respective products.

Creator: TODV1/PDP Released: VACH1/PDP	Document: DB10007000EN Version: 02	Page 2 of 2
---	---------------------------------------	-------------