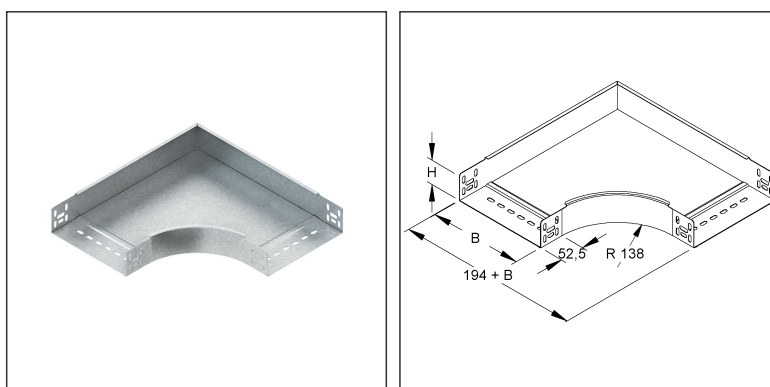
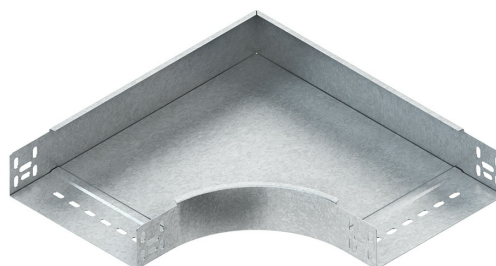


Elbow 90°

with unperforated side profiles, but with connector perforations, with integrated splice plates

RES 60.100 F

EAN Code: 4013339535804



Article Description

Elbow 90° for cable tray, 60x102 mm, with unperforated side beams, steel, hot dip galvanised DIN EN ISO 1461, incl. accessories

Incl. accessories

1 piece = 1 piece		✓ lowest delivery unit	- preferred delivery unit
Model No.	Description	quantity	
FLM 6X12 F	Mushroom-head bolt M6, similar DIN 603, length 12 mm, steel, hot dip galvanised DIN EN ISO 1461	4 pc.	
200 piece = 1		- lowest delivery unit	- preferred delivery unit
Model No.	Description	quantity	
FLM 6X12 F	Mushroom-head bolt M6, similar DIN 603, length 12 mm, steel, hot dip galvanised DIN EN ISO 1461	800 pc.	

Additional Price Information

Article group	N13
---------------	-----

Technical Datasheet

Cable Tray System

RES 60.100 F

Weight

Weight per quantity unit	995 g
Weight in kg per 100	99 kg

Physical Article Dimensions

Height	62.00 mm
Width	294 mm
Depth/length	294 mm

Packing Dimension

1 piece = 1 piece		✓ VP1-smallest packaging unit (PU)			
Lenght	294 mm	Width	294 mm	Height	62.00 mm
Gross weight	1 kg	Volume	0,005 m ³		
Min. quantity	1	Max. Quantity	1		

200 pieces = 1

Lenght	1230 mm	Width	840 mm	Height	970 mm
Gross weight	269 kg	Volume	1,002 m ³		
Min. Quantity	200.00	Max. Quantity	200.00		

Tender Text

Elbow 90°, with non-perforated side beams, with connector perforation for connection, for cable trays, for creating horizontal 90° corner joints, with integrated splice plate, including proportional fastening accessories in hot-dip galvanised.

VDE certified! Please observe additional regulations for use in functional maintenance!

for cable trays : 60 mm edge height

Dimensions (approx. dimensions) inside H x W : 60 x 102 mm

Inner beam radius R : 138 mm

Material : steel, hot-dip galvanised acc. to DIN EN ISO 1461

NIEDAX Model No. : RES 60.100 F

EP Material _____ EP Wage _____

Unit price/piece

Safety & Environment

REACH Date	17.01.2022
REACH Info	Conformable
RoHS Info	Conformable

Origin & International Trade

Country of origin	DE
Federal State of Origin	RP
Customs tariff number	73089059

Technical Datasheet

Cable Tray System

RES 60.100 F

Related items

Cover

Model No.	Description
RDHK 60 E2	Cover retaining clamp, height 58 mm, stainless steel, material code: 1.4310
RDRS 2 E3	Turning bolt simply with locking nut acc. to DIN EN ISO 10511, stainless steel, material code: 1.4301, 1.4303, incl. accessories
RESD 100 F	Cover for elbow 90° for cable tray, width 104 mm, steel, hot dip galvanised DIN EN ISO 1461
RESDV 100 F	Cover for elbow 90° for cable tray, width 104 mm, with turning lock, steel, hot dip galvanised DIN EN ISO 1461