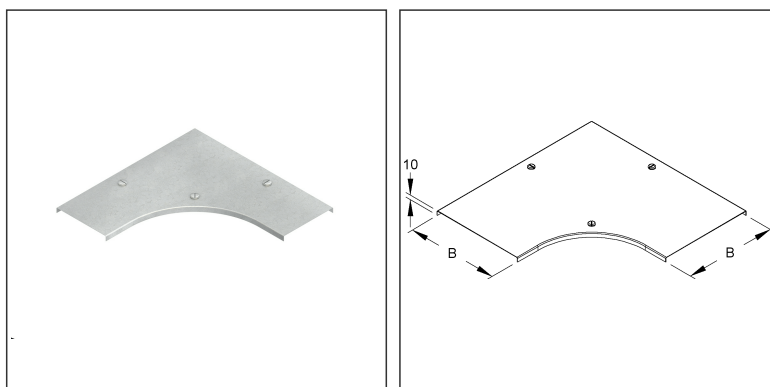


Cover for Elbow 90°

with pre-assembled turning lock fasteners

RESDV 100 F

EAN Code: 4013339557202



Article Description

Cover for elbow 90° for cable tray, width 104 mm, with turning lock, steel, hot dip galvanised DIN EN ISO 1461

Additional Price Information

Article group	N13
---------------	-----

Weight

Weight per quantity unit	441 g
Weight in kg per 100	44 kg

Physical Article Dimensions

Height	13.50 mm
Width	295 mm
Depth/length	295 mm

Technical Datasheet

Cable Tray System

RESDV 100 F

Packing Dimension

1 piece = 1 piece		✓ VP1-smallest packaging unit (PU)			
Lenght	296 mm	Width	296 mm	Height	14.00 mm
Gross weight	0,44 kg	Volume	0,001 m ³		
Min. quantity	1	Max. Quantity	1		

Tender Text

Cover for elbow 90°, with captive premounted turning bolt fasteners, height-independent cover for cable trays elbow 90° as well as for covering a 90° elbow made by means of a corner mounting piece REK ... F. Due to external influences, such as wind loads, outdoor use is only possible with an additional safety device (self-tapping screws, steel band, etc.). For additional requirements, turning bolts RDRS 2 E3 can be used.

VDE certified! Please observe additional regulations for use in functional integrity! for cable trays 90° elbow : RES ... F Dimensions (approx. dimension) B (inside) : 104 mm

Material : Steel, hot-dip galvanised acc. to DIN EN ISO 1461 Material of turning bolt fasteners : Stainless steel, Material No. 1.4571

NIEDAX Model No. : RESDV 100 F

EP Material_____ EP Wage_____

Unit price/piece

Safety & Environment

REACH Date	17.01.2022
REACH Info	Conformable
RoHS Info	Conformable

Origin & International Trade

Country of origin	DE
Federal State of Origin	RP
Customs tariff number	73089059