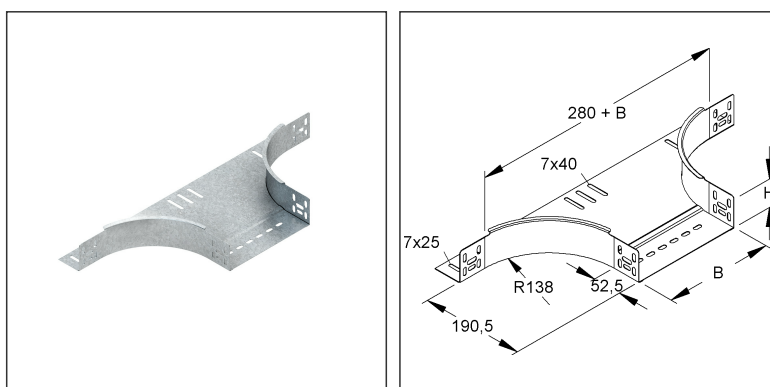


### Extension T-Piece

with unperforated side profiles, but with connector perforations, with integrated splice plates

### RTA 60.100 F

EAN Code: 4013339536405



### Article Description

Extension T-piece for KR 60x102 mm, with unperforated side beams, steel, hot dip galvanised DIN EN ISO 1461, incl. accessories

### Incl. accessories

<b>1 piece = 1 piece</b>		✓ lowest delivery unit	- preferred delivery unit
Model No.	Description	quantity	
FLM 6X12 F	Mushroom-head bolt M6, similar DIN 603, length 12 mm, steel, hot dip galvanised DIN EN ISO 1461	10 pc.	
<b>200 piece = 1</b>		- lowest delivery unit	- preferred delivery unit
Model No.	Description	quantity	
FLM 6X12 F	Mushroom-head bolt M6, similar DIN 603, length 12 mm, steel, hot dip galvanised DIN EN ISO 1461	2.000 pc.	

### Additional Price Information

Article group	N13
---------------	-----

# Technical Datasheet

## Cable Tray System

### RTA 60.100 F

#### Weight

Weight per quantity unit	850 g
Weight in kg per 100	85 kg

#### Physical Article Dimensions

Height	62.00 mm
Width	242 mm
Depth/length	488 mm

#### Packing Dimension

<b>1 piece = 1 piece</b>		✓ VP1-smallest packaging unit ( PU)			
Lenght	488 mm	Width	243 mm	Height	62.00 mm
Gross weight	0,85 kg	Volume	0,007 m <sup>3</sup>		
Min. quantity	1	Max. Quantity	1		

<b>200 pieces = 1</b>					
Lenght	1230 mm	Width	840 mm	Height	970 mm
Gross weight	240 kg	Volume	1,002 m <sup>3</sup>		
Min. Quantity	200.00	Max. Quantity	200.00		

#### Tender Text

Extension T-piece, with unperforated side beams, with connector perforation for the connection, for cable trays, for creating horizontal 90° T-junctions and crossings of different or the same width, with integrated splice plates, including proportional fastening accessories in hot-dip galvanised. Please observe additional regulations for use in functional maintenance!

for cable trays : 60 mm edge height Dimensions (approx. dimensions) inside H x W : 60 x 102 mm inner beam radius R : 138 mm notch for cable trays : 280 mm + W

Material : steel, hot-dip galvanised acc. to DIN EN ISO 1461

NIEDAX Model No. : RTA 60.100 F

EP Material\_\_\_\_\_ EP Wage\_\_\_\_\_

Unit price/piece

#### Safety & Environment

REACH Date	17.01.2022
REACH Info	Conformable
RoHS Info	Conformable

#### Origin & International Trade

Country of origin	DE
Customs tariff number	73089059

# Technical Datasheet

## Cable Tray System

RTA 60.100 F

### Related items

#### Cover

Model No.	Description
RDHK 60 E2	Cover retaining clamp, height 58 mm, stainless steel, material code: 1.4310
RDRS 2 E3	Turning bolt simply with locking nut acc. to DIN EN ISO 10511, stainless steel, material code: 1.4301, 1.4303, incl. accessories
RTAD 100 F	Cover for extension T-piece for KR, width 104 mm, steel, hot dip galvanised DIN EN ISO 1461
RTADV 100 F	Cover for extension T-piece for KR, width 104 mm, with turning bolt, steel, hot dip galvanised DIN EN ISO 1461