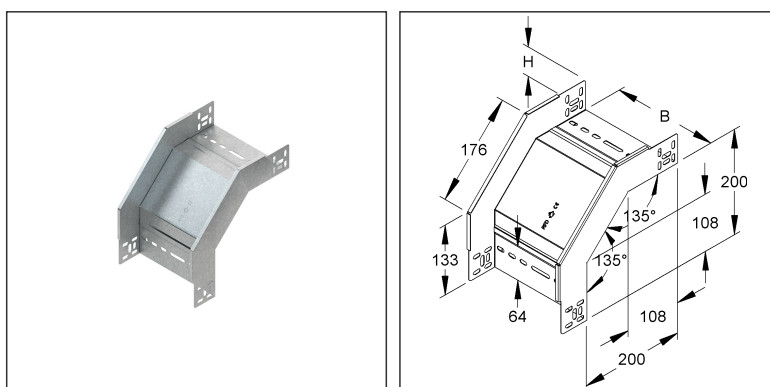
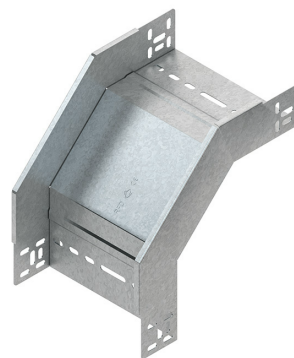


### Vertical Outside Elbow

with unperforated side profiles, but with connector perforations, with integrated splice plates

### RFD 60.100 F

EAN Code: 4013339935406



### Article Description

Vertical outside elbow for KR, 60x102 mm, w. unperforated side beams, steel, hot dip galvanised DIN EN ISO 1461, incl. accessories

### Incl. accessories

**1 piece = 1 piece**

lowest delivery unit

preferred delivery unit

Model No.	Description	quantity
FLM 6X12 F	Mushroom-head bolt M6, similar DIN 603, length 12 mm, steel, hot dip galvanised DIN EN ISO 1461	4 pc.

### Additional Price Information

Article group	N13
---------------	-----

### Weight

Weight per quantity unit	790 g
Weight in kg per 100	79 kg

# Technical Datasheet

## Cable Tray System

### RFD 60.100 F

#### Physical Article Dimensions

Height	260.90 mm
Width	103.80 mm
Depth/length	260.90 mm

#### Packing Dimension

<b>1 piece = 1 piece</b>		✓ VP1-smallest packaging unit ( PU)			
Lenght	261 mm	Width	104.00 mm	Height	261 mm
Gross weight	0,79 kg	Volume	0,007 m <sup>3</sup>		
Min. quantity	1	Max. Quantity	1		

#### Tender Text

Vertical outside elbow, with unperforated side beams, with connector perforation for the connection, for cable trays, for creating 2 x 45° vertically falling cable tray runs, with integrated splice plates, including proportional fastening accessories in hot-dip galvanised .

VDE certified!

for cable trays : 60 mm edge height Dimensions (approx. dimensions) inside H x W : 60 x 102 mm

Material : Steel, hot-dip galvanised acc. to DIN EN ISO 1461

NIEDAX Model No. : RFD 60.100 F

EP Material\_\_\_\_\_ EP Wage\_\_\_\_\_

Unit price/piece

#### Safety & Environment

REACH Date	17.01.2022
REACH Info	Conformable
RoHS Info	Conformable

#### Origin & International Trade

Country of origin	DE
Federal State of Origin	RP
Customs tariff number	73089059

#### Related items

#### Cover

Model No.	Description
RDRS 2 E3	Turning bolt simply with locking nut acc. to DIN EN ISO 10511, stainless steel, material code: 1.4301, 1.4303, incl. accessories