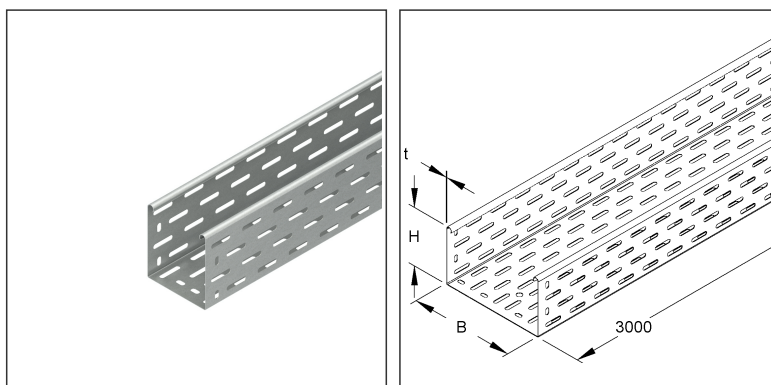
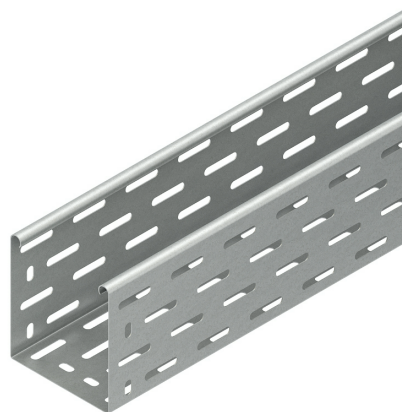


Cable Tray

perforated

RL 110.300 F

EAN Code: 4013339245000



Article Description

Cable tray, 110x300x3000 mm, perforated, steel, hot dip galvanised DIN EN ISO 1461, incl. accessories

Technical Datasheet

Cable Tray System

RL 110.300 F

Incl. accessories

3 meter = 1 piece		- lowest delivery unit	- preferred delivery unit
Model No.	Description	quantity	
1-FLM 6X12 F	Mushroom-head bolt M6, similar DIN 603, length 12 mm, steel, hot dip galvanised DIN EN ISO 1461	10 pc.	
1-RV 110.300 F	Splice plate, single, U-shaped, 99x297 mm, steel, hot dip galvanised DIN EN ISO 1461, incl. accessories	1	
6 meter = 1 bundle		✓ lowest delivery unit	✓ preferred delivery unit
Model No.	Description	quantity	
FLM 6X12 F	Mushroom-head bolt M6, similar DIN 603, length 12 mm, steel, hot dip galvanised DIN EN ISO 1461	20 pc.	
RV 110.300 F	Splice plate, single, U-shaped, 99x297 mm, steel, hot dip galvanised DIN EN ISO 1461, incl. accessories	2	
132 meter = 1 rack		- lowest delivery unit	- preferred delivery unit
Model No.	Description	quantity	
FLM 6X12 F	Mushroom-head bolt M6, similar DIN 603, length 12 mm, steel, hot dip galvanised DIN EN ISO 1461	440 pc.	
RV 110.300 F	Splice plate, single, U-shaped, 99x297 mm, steel, hot dip galvanised DIN EN ISO 1461, incl. accessories	44	

Additional Price Information

Article group	N13
---------------	-----

Weight

Weight per quantity unit	4,115 kg
Weight in kg per 100	411 kg

Physical Article Dimensions

Height	110.00 mm
Width	300 mm
Depth/length	3000 mm

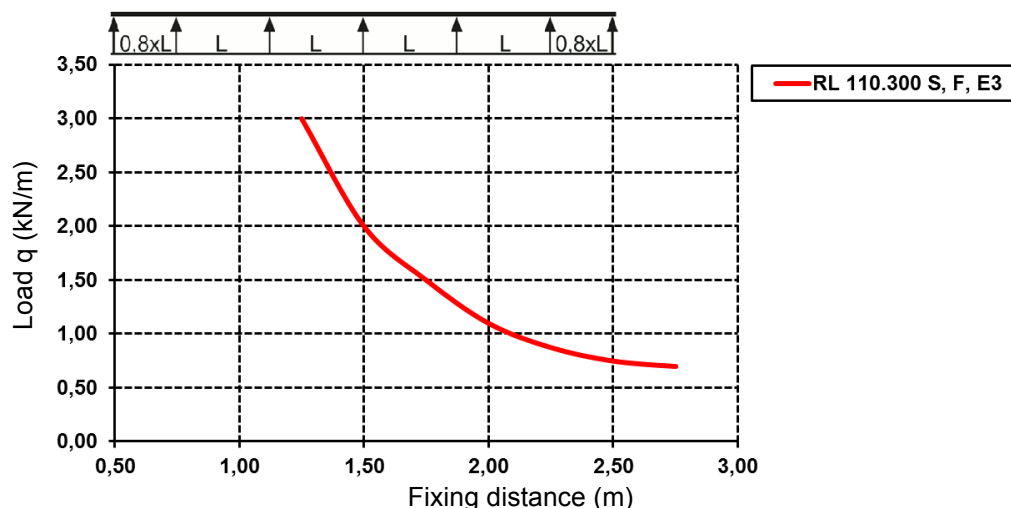
Technical Datasheet

Cable Tray System

RL 110.300 F

Load Specifications

Load diagram: q = evenly distributed cable load (tested acc. to DIN EN IEC 61537)



Packing Dimension

6 meters = 1 bundle		✓ VP1-smallest packaging unit (PU)		✓ VP1-preferred PU	
Lenght	3000 mm	Width	305 mm	Height	115.00 mm
Gross weight	25 kg	Volume	0,105 m ³		
Min. quantity	6	Max. Quantity	6		

132 meters = 1 rack					
Lenght	3000 mm	Width	1162 mm	Height	1120 mm
Gross weight	641 kg	Volume	3,904 m ³		
Min. Quantity	132.00	Max. Quantity	132.00		

Tender Text

Cable tray acc. to DIN EN 61537, with offset bottom and side perforations, including one-piece U-shaped splice plate RV 110...F and proportional fastening accessories in hot-dip galvanised.

Dimensions (approx. dimensions) H x W : 110 x 300 mm

Material thickness t : 1 mm

Delivery length L : 3000 mm

Usable cross section : 32800 mm²

Material : steel, hot-dip galvanised acc. to DIN EN ISO 1461

NIEDAX Model No. : RL 110.300 F

EP material _____ EP wage _____

Unit price/meter

Safety & Environment

REACH Date	17.01.2022
REACH Info	Conformable
RoHS Info	Conformable

Technical Datasheet

Cable Tray System

RL 110.300 F

Origin & International Trade

Country of origin	DE
Customs tariff number	73089059

Related items

Cover

Model No.	Description
RDHK 110 E2	Cover retaining clamp, height 108 mm, stainless steel, material code: 1.4310
RDV 300 F	Cover for cable tray/-ladder, with joint strip, 302x3000 mm, steel, hot dip galvanised DIN EN ISO 1461
RDRS 9 F	Turning bolt with locking nut acc. to DIN EN ISO 10511, steel, hot dip galvanised DIN EN ISO 1461, incl. accessories
RDHF 9 E2	Cover clamp, stainless steel, material code: 1.4310
RD 300 F	Cover for cable tray/-ladder, with joint strip, 302x3000 mm, steel, hot dip galvanised DIN EN ISO 1461

Barrier strip

Model No.	Description
RW 110 F	Barrier strip, 98x3000 mm, t=0,9 mm, steel, hot dip galvanised DIN EN ISO 1461, incl. accessories