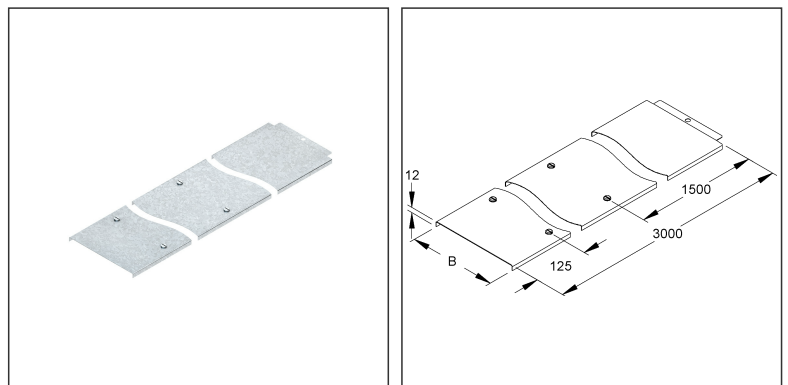


Cover for Cable Tray/-Ladder

with joint strip and pre-assembled twist-lock fasteners

RDV 300 F

EAN Code: 4013339264001



Article Description

Cover for cable tray/-ladder, with joint strip, 302x3000 mm, steel, hot dip galvanised DIN EN ISO 1461

Additional Price Information

Article group	N13
---------------	-----

Weight

Weight per quantity unit	2,542 kg
Weight in kg per 100	254 kg

Physical Article Dimensions

Height	15.50 mm
Width	303.80 mm
Depth/length	3020 mm

Technical Datasheet

Cable Tray System

RDV 300 F

Packing Dimension

6 meters = 1 bundle		✓ VP1-smallest packaging unit (PU)		✓ VP1-preferred PU	
Lenght	3020 mm	Width	309 mm	Height	21.00 mm
Gross weight	15 kg	Volume	0,019 m ³		
Min. quantity	6	Max. Quantity	6		
450 meters = 1 rack					
Lenght	3020 mm	Width	1162 mm	Height	1120 mm
Gross weight	1242 kg	Volume	3,930 m ³		
Min. Quantity	450.00	Max. Quantity	450.00		

Tender Text

Cover for cable tray/ladder, with joint strip to reduce deflection at the cover joint, protection against penetration of dirt and increase stability with the adjacent cover, with captive premounted turning bolt fasteners. Due to external influences, such as wind loads, outdoor use is only possible with an additional protection (self-tapping screws, steel band etc.). For additional requirements, turning bolt RDRS 9 F and cover retaining spring RDHF 9 E2 can be used.

VDE certified! Please observe additional regulations for use in functional maintenance! Use for : cable trays cable ladders Dimensions (approx. dimension) B (inside) : 302 mm

Delivery length L : 3000 mm

Material : steel, hot-dip galvanised acc. to DIN EN ISO 1461

NIEDAX Model No. : RDV 300 F

EP material_____ EP wage_____

Unit price/meter

Safety & Environment

REACH Date	17.01.2022
REACH Info	Conformable
RoHS Info	Conformable

Origin & International Trade

Country of origin	DE
Federal State of Origin	RP
Customs tariff number	73089059