

Product catalogue 2020

Carutti.



CONTENTS

Sauna lighting sets	6
Sauna LED lights	10
LED lighting sets	11
Sauna light fittings	14
Steam room lighting	21
Steam room light fittings	23
Steam room lights	27
Pool lights	29
Starlight sets	31
Crystal light fittings	35
Chandeliers and curtain partitions	36
Bathroom lighting	39
Downlights	41
Lights for staircases	42
Wall lights	43
LED profile lights	44
Fibre optic projectors	47
Optic fibres	50
Lenses and fittings	55
Power supplies, control modules and regulators	57

CARIITTI BRINGS BRILLIANCE AND JOY TO YOUR LIFE

"Ancient Greek mythology had three goddesses of charm and beauty – Aglaea (brilliance), Euphrosyne (joy) and Thalia (abundance) – giving people joy and charm. They were also known as Charites or Graces."

The story of Cariitti began at the end of the 1940s, in Kari Ruokonen's childhood. At a time when toys were scarce, little Kari was fascinated by a torch he had seen in a shop. How exciting it would be to explore the secrets of the shady woods and reveal them by the beam of the torch, or play with shadows in the dark cellar – and how the same torch could bring warmth and safety when needed. That torch cost 90 Finnish penni, a small fortune for a little boy. For more than two months, Kari saved his pocket money to fulfil his dream.

Later on, lighting became Kari's lifework. He was an entrepreneur in the lighting industry and ended up in Kirkkonummi, where he decided to buy a traditional lighting workshop "Valaisinpaja" with his family. Soon they wanted to change the company name to a more international one. As the starting point was Kari, the word Charite was found in Greek mythology and so it became CARIITTI.

These decades have been a time of change. The development of LED lighting has transformed the world, and lighting technology continues to break new territory. Throughout these times, Cariitti's mission – unique experiences in light – has remained unchanged.

When many other lighting manufacturers simply seek to increase the amount of light, Cariitti aims much higher. Our vision is to create light beautifully, stylishly and attractively. Cariitti continues to bring brilliance, joy and abundance to people's lives, just as the three Charites of the ancient Greeks.





CARIITTI SHOWROOM

When you are building or renovating a house or searching new solutions for your interior design, you are welcome to our showroom. In our showroom you get familiarized with the wide selection of our lighting and sauna interior options. You can find practical solutions for illumination and interior design of saunas, steamrooms and bathrooms. At the same time you have a chance to familiarize with the latest wireless control techniques and voice control. Come and experience: "Alexa, turn on relax".

NEW PRODUCTS 2020

For 2020 Cariitti brings both white and black versions of the popular Thermometer and Hygrometer alongside the traditional stainless steel fitting.

In addition to the meters, there is a new product for lighting control SIGNUM which allows controlling with touch. For example, you can adjust the lighting of the sauna by touching a specific point on the wall. Fast touch turns the lights on/off, and with a slow touch you can dim or brighten the lights.

We have also added the new VOLITARE RGBW LED to our collection. VOLITARE is suitable for use with all Cariitti lighting fittings with M8 twist, e.g. Kihla, Lighthouse, Torch, SX, SY, IB320 Bowl and CRB-30 towel hook.







SAUNA LIGHTING SETS

Cariitti sauna lighting systems are the most comprehensive and advanced solutions on the market. Our product range includes standard sets for sauna seat and ceiling illumination and also a wide range of lighting fittings for a sauna. With Cariitti fibre optic illumination the possibilities are unlimited - use your imagination. In addition to standard sauna sets we produce individual solutions and lengths to order.

Glass fibre Sauna Seat Sets enable you to create illumination even in an existing sauna. The projector VPAC-1527 has the colour temperature 2700K which is warm and well suited for a sauna. All sauna lighting fittings can be installed to fibres with a crimpable ferrule (1538020, page 56) which comes with each fitting.

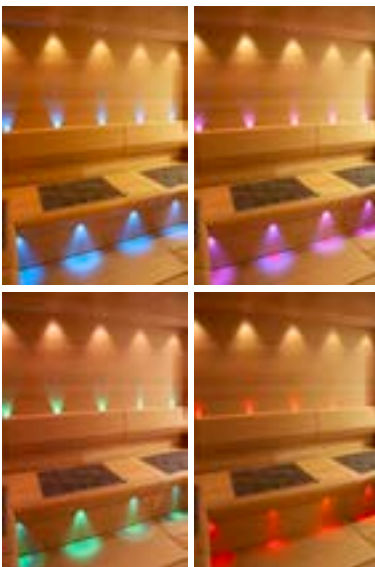
SEAT SETS







Sauna size recommendation	Fibre lengths S-Flex 2 (S-Flex 4)		Type	Lens	Code
1 - 4 m ²	4 x 1.4 m 4 x 1.7 m 2 x 2.0 m (1 x 4.0 m)		VPAC-1527-G211		1516708
2 - 5 m ²	4 x 1.4 m 4 x 1.7 m 4 x 2.0 m 2 x 2.3 m 2 x 2.6 m (1 x 4.0 m)		VPAC-1527-G217		1516709
3 - 6 m ²	4 x 1.4 m 4 x 1.7 m 4 x 2.0 m 4 x 2.3 m	2 x 2.6 m 2 x 2.9 m 2 x 3.2 m (1 x 4.0 m)	VPAC-1527-G223		1516710
4 - 8 m ²	4 x 1.4 m 4 x 1.7 m 4 x 2.0 m 4 x 2.3 m 4 x 2.6 m	2 x 2.9 m 2 x 3.2 m 2 x 3.5 m 2 x 3.8 m (1 x 4.0 m)	VPAC-1527-G229		1516711

SEAT SETS WITH COLOUR CHANGE

- Including control panel 1532344 (page 62)



















Sauna size recommendation	Fibre lengths S-Flex 2 (S-Flex 4)		Type	Lens	Code
1 - 4 m ²	4 x 1.4 m 4 x 1.7 m 2 x 2.0 m (1 x 4.0 m)		VPL30C-G211		1516610
2 - 5 m ²	4 x 1.4 m 4 x 1.7 m 4 x 2.0 m 2 x 2.3 m 2 x 2.6 m (1 x 4.0 m)		VPL30C-G217		1516611
3 - 6 m ²	4 x 1.4 m 4 x 1.7 m 4 x 2.0 m 4 x 2.3 m	2 x 2.6 m 2 x 2.9 m 2 x 3.2 m (1 x 4.0 m)	VPL30C-G223		1516612
4 - 8 m ²	4 x 1.4 m 4 x 1.7 m 4 x 2.0 m 4 x 2.3 m 4 x 2.6 m	2 x 2.9 m 2 x 3.2 m 2 x 3.5 m 2 x 3.8 m (1 x 4.0 m)	VPL30C-G229		1516613

Glass fibre Sauna Lighting Sets can be installed in the sauna benches or ceiling. Sauna Lighting Sets include a dimmable LED projector which ensures a low energy consumption and a very long lifetime. The projector is completely silent and produces just a small amount of heat. A high Ra index >90 together with a warm 2700K LED ensures an atmospheric sauna lighting.

CEILING SETS



Sauna size recommendation	Fibre lengths	Locking rings	Lens	Ferrule	Active ø	Type Code
1 - 4 m ²	1 x 2.5 m 2 x 3.0 m 1 x 3.5 m 1 x 3.5 m			M5 M5 M5 M8	2 mm 2 mm 2 mm 4 mm	VPAC-1527-B532 1516700
3 - 5 m ²	2 x 2.0 m 3 x 2.5 m 2 x 3.0 m			M5 M5 M5	3 mm 3 mm 3 mm	VPAC-1527-F325 1516701
3 - 5 m ²	2 x 3.0 m 3 x 3.5 m 2 x 4.0 m			M5 M5 M5	3 mm 3 mm 3 mm	VPAC-1527-F335 1516702
3 - 5 m ²	15 x 3.0 m 7 x 3.0 m 1 x 3.0 m			ø3 M5 M8	1 mm 2 mm 4 mm	VPAC-1527-M233 1516703
3 - 5 m ²	2 x 2.5 m 3 x 3.0 m 2 x 3.5 m 1 x 3.5 m			M5 M5 M5 M5	2 mm 2 mm 2 mm 3 mm	VPAC-1527-S832 1516704
4 - 6 m ²	5 x 3.5 m 5 x 4.0 m 1 x 3.5 m			M5 M5 M8	2 mm 2 mm 4 mm	VPAC-1527-N211 1516705
5 - 10 m ²	2 x 2.0 m 3 x 3.0 m 3 x 4.0 m 2 x 5.0 m 1 x 4.0 m			M5 M5 M5 M5 M8	3 mm 3 mm 3 mm 3 mm 6 mm	VPAC-1527-L114 1516706
5 - 10 m ²	5 x 3.5 m 5 x 4.0 m 5 x 4.5 m 5 x 5.0 m 1 x 3.5 m			M5 M5 M5 M5 M8	2 mm 2 mm 2 mm 2 mm 4 mm	VPAC-1527-N221 1516707

VPL10 SAUNA LIGHTING SETS



VPL10 - E511
Code 1524011

- S-Flex 1.5: 5 x 2.5 m
- S-Flex 2: 1 x 4.5 m

VPL10 - E161
Code 1524010

- S-Flex 1.5: 5 x 1.5 m, 6 x 2.0 m, 5 x 2.5 m

- 230V / 1.7 W / 350 mA / IP55
- 3000K / Ra >85
- Stove lens included
- Not dimmable

NORTHERN LIGHTS SETS WITH PROJECTOR VPL30NL



Sauna size recommendation	Fibres \varnothing 7 mm + Linear 1 m	Type	Code
1 - 4 m ²	1 x 1.2 m + Linear 1 x 2.2 m + Linear	VPL30NL - N2M	1516620
3 - 6 m ²	2 x 1.2 m + Linear 2 x 2.2 m + Linear	VPL30NL - N4M	1516621



FIRE FLAME SET WITH PROJECTOR VPL30FL



Sauna size recommendation	Fibre lengths	Locking rings	Lenses	Ferrule	Active \varnothing	Type Code
3 - 5 m ²	10 x 3.0 m			M5	2 mm	VPL30FL-F310 1516630



Width 380 mm

IB320 LED ILLUMINATED BOWL

WITH HANDLES

- Code 1545200

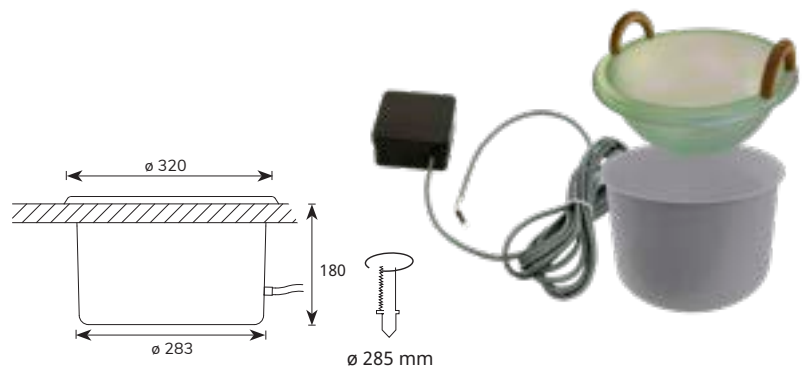
WITH WATER OUTLET

- Code 1545220

WITH OUTLET VALVE

- Code 1545221

- 1 W / 350 mA
- Power supply included
- Cable length 5 m
- Frosted glacier green acryl (satin)
- Installation height of the power supply max 0.8m above the floor
- IP67

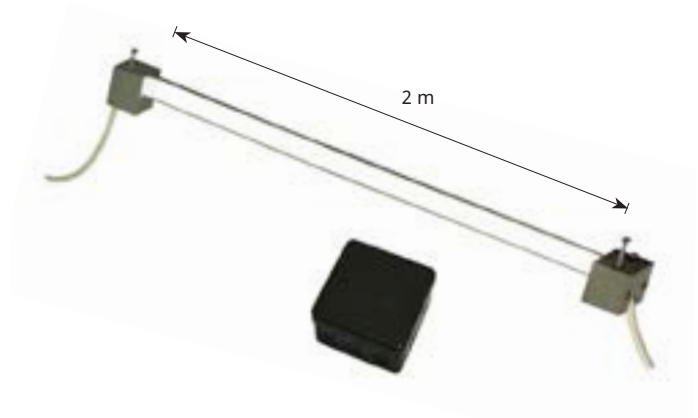


SAUNA LINEAR LED 2M

SAUNA LINEAR LED 2M

Code 1516661

- Installed on the wall or under the benches
- 2 x LED, 1 W, 3000 K
- Ready to install set - includes a power supply (IP55), one linear bar length 2m and 2 LED light sources
- Anodized aluminium
- Installation height of the power supply max 0.8 m above the floor
- Not dimmable
- Linear length 2m, can be cut
- Cable length of the LED light sources 2.5m
- Installation height of linears max 1.5m above the floor
- IP55

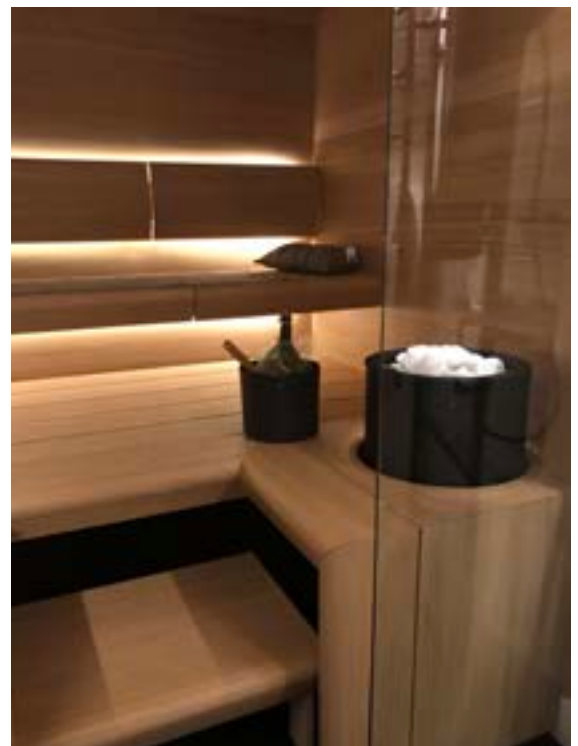


SAUNA LINEAR LED 4M + SPOT

SAUNA LINEAR LED 4M + SPOT

Code 1516663

- Installed on the wall or under the benches
- 4 x LED, 1 W, 3000 K
- Ready to install set - includes a dimmable power supply (IP55), 2 linear bars 2m each, 4 LED light sources and an LED sauna stove lens fibre 5m (1532647, page 13)
- Anodized aluminium
- Installation height of the power supply max 0.8m above the floor
- Linear length 2m, can be cut
- Cable length of the LED light sources 2.5m
- Installation height of linears max 1.5m above the floor
- IP55



LED LIGHTING SETS

Cariitti LED lighting sets are available with warm 2700K and 3000K and cold 4000K white light. All our lighting fittings can be connected to these sets. The LEDs are rated IP67 and they can be used in dry and humid places.

The LEDs of these sets require only a small 6 mm hole in the installation on sauna benches, as an example. The installation is much more invisible than previously. The clear installation instructions ensure that the installation cannot fail – the clips are carefully selected to avoid any misconnection.

The LED driver is the high-quality Osram OTi DALI 15, and the set can be dimmed with a push-button or DALI control. The set can be expanded with additional 3-part expansion sets up to 15 LEDs.

There are several additional items available for these sets, such as lighting fittings CR-3 (gold, chrome and black), a stove fibre with a lens, thermometer and hygrometer and many others.

We recommend 2700K for a sauna.

If the sauna temperature is over +90°C, we recommend to use Cariitti fibre optic sets.



LED SET WITH 6 LEDS

2700 K Code 1532601

3000 K Code 1532654

4000 K Code 1532657

- Includes 6 LEDs, serial connection cables (2 x 2,4 m), jumpers (2 pcs), extension cable (5 m) and dimmable power supply (IP20) OTi DALI 15 (150 mA).



EXPANSION SET WITH 3 LEDS

2700 K Code 1532602

3000 K Code 1532655

4000 K Code 1532658

- Includes 3 LEDs, serial connection cable (2,4m) and jumpers (2 pcs).
- With this set you can expand your basic LED Set to 9, 12 or 15 LEDs.



EXTENSION CABLES



EXTENSION CABLE 1,5 M

Code 1532607

EXTENSION CABLE 5 M

Code 1532608

SERIAL CONNECTION CABLE



SERIAL CONNECTION CABLE

Code 1532370

- 3 part, length 2.4 m

JUMPERS 6 PCS



JUMPERS 6 PCS

Code 1532634

- A set includes 6 pcs.

LED WITH A CABLE 150 MM



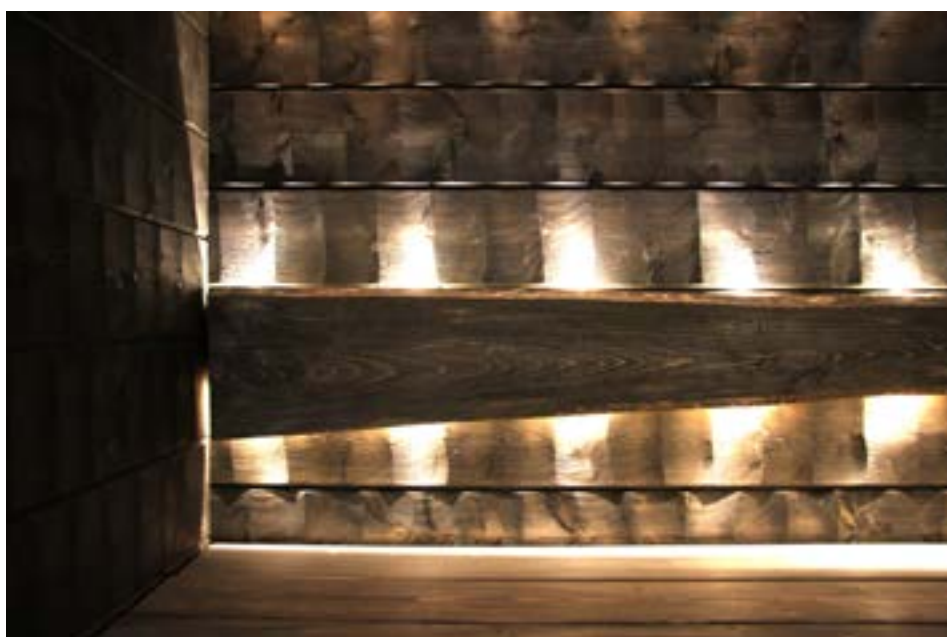
LED WITH A CABLE 150 MM

2700 K Code 1532373

3000 K Code 1532656

4000 K Code 1532659

- 150 mA
- Power supply to be ordered separately, see page 59.

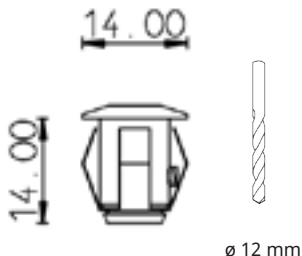


LED LIGHTING SETS

CR-03 KIT 6

Code 1532612 Gold
Code 1532613 Chrome
Code 1532614 Black

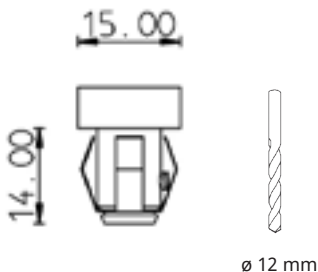
- Each set includes 6 pcs



CR-07 KIT 6

Code 1532642 Chrome, satin
Code 1532644 Gold, satin
Code 1532646 Black, satin

- Each set includes 6 pcs



LED SAUNA STOVE LENS FIBRES

3.5 M Code 1532633
5.0 M Code 1532647

- S-Flex 3 fibre 3.5 m or 5.0 m, a stove lens CR-09, LED 2700 K and an adapter included.





SAUNA LIGHT FITTINGS

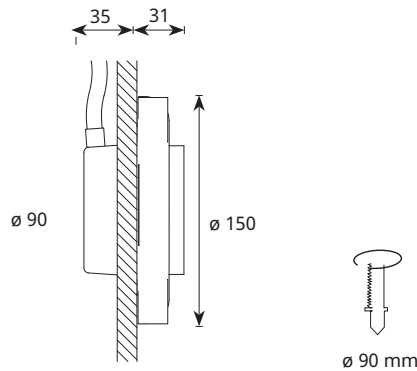
In our selection you can find various options to illuminate your sauna. All fittings can have either fibre optic or LED lighting sets as the light source. You can illuminate your sauna with a thermometer, hygrometer, bowl, torch - only your imagination is the limit.

SCA

SCA
Code 1545803

- 1 x S-Flex 4 - 6 M8
- Wooden frame
- Satin glass
- Crimpable ferrule M8 included
- The frame can be tinted with sauna wax

Can be illuminated with a fibre or LED.
Recommended fibre \varnothing 4 - 6 mm or one Cariitti LED.

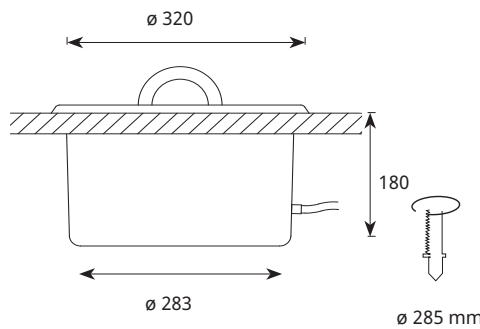


IB320 BOWL WITH WOODEN HANDLES

IB320 BOWL WITH WOODEN HANDLES
Code 1545805

- 1 - 4 x S-Flex / C-Flex 3 - 6 M8
- Frosted glacier green acryl (satin)

Can be illuminated with a fibre or LED.
Recommended fibres \varnothing 3 - 6 mm or one Cariitti LED.



IB320 BOWL WITH WATER OUTLET/OUTLET VALVE

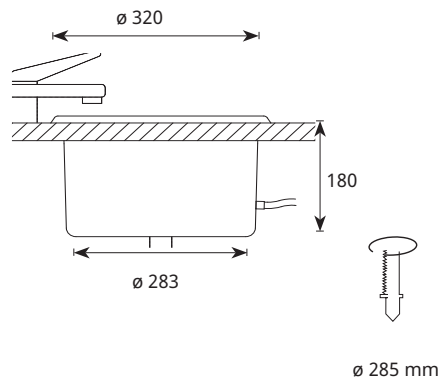
IB320 BOWL WITH WATER OUTLET
Code 1545804

- 1 - 4 x S-Flex / C-Flex 3 - 6 M8
- Frosted glacier green acryl (satin)
- Water accessories not included

IB320 BOWL WITH OUTLET VALVE
Code 1545826

- 1 - 4 x S-Flex / C-Flex 3 - 6 M8
- Frosted glacier green acryl (satin)
- Outlet valve included

Can be illuminated with a fibre or LED.
Recommended fibres \varnothing 3 - 6 mm or one Cariitti LED.



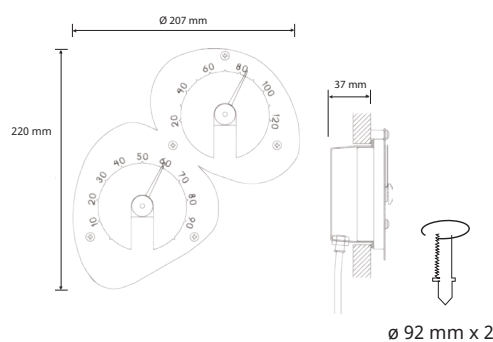
THERMOMETER-HYGROMETER

THERMOMETER-HYGROMETER
Stainless steel Code 1545822
Black Code 1545861
White Code 1545862

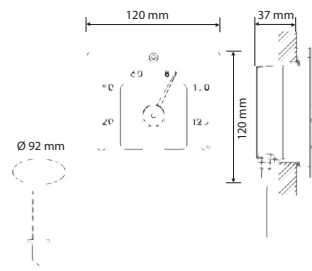
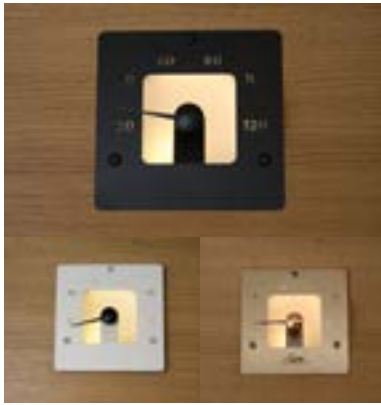
- 2 x S-Flex 2 - 4 M8
- Stainless steel
- Crimpable ferrules M8 included

Design: Frida Lindström

Can be illuminated with two fibres or LEDs.
Recommended fibres \varnothing 2 - 4 mm or two Cariitti LEDs.



THERMOMETER SQ

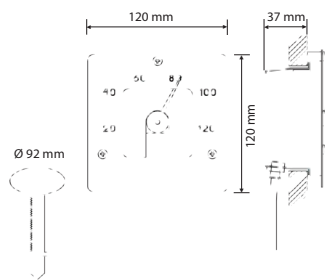


THERMOMETER SQ
Stainless steel Code 1545828
Black Code 1545854
White Code 1545855

- 1 x S-Flex 2 - 4 M8
- Stainless steel
- Crimpable ferrule M8 included

Can be illuminated with a fibre or LED.
Recommended fibre \varnothing 2 - 4 mm or one Cariitti LED.

HYGROMETER SQ

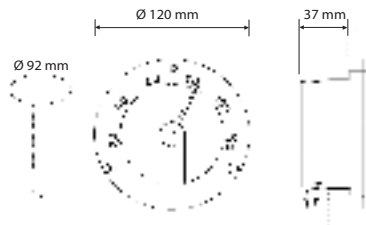


HYGROMETER SQ
Stainless steel Code 1545849
Black Code 1545858
White Code 1545859

- 1 x S-Flex 2 - 4 M8
- Stainless steel
- Crimpable ferrule M8 included

Can be illuminated with a fibre or LED.
Recommended fibre \varnothing 2 - 4 mm or one Cariitti LED.

THERMOMETER

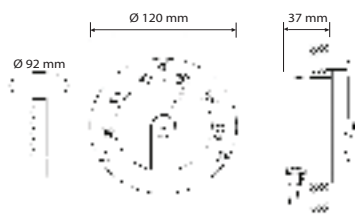


THERMOMETER
Stainless steel Code 1545812
Black Code 1545852
White Code 1545853

- 1 x S-Flex 2 - 4 M8
- Stainless steel
- Crimpable ferrule M8 included

Can be illuminated with a fibre or LED.
Recommended fibre \varnothing 2 - 4 mm or one Cariitti LED.

HYGROMETER



HYGROMETER
Stainless steel Code 1545820
Black Code 1545856
White Code 1545857

- 1 x S-Flex 2 - 4 M8
- Stainless steel
- Crimpable ferrule M8 included

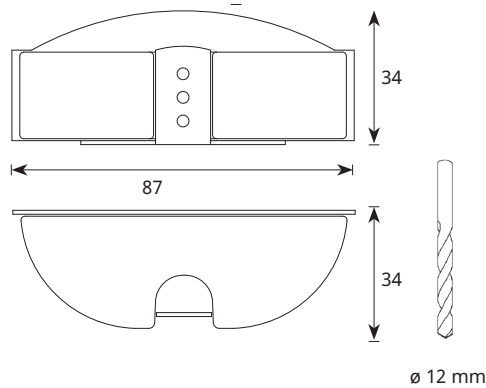
Can be illuminated with a fibre or LED.
Recommended fibre \varnothing 2 - 4 mm or one Cariitti LED.

LIGHTHOUSE

LH-100
Code 1545802

- 1 x S-Flex 2 - 4 M8
- Stainless steel AISI 304
- Satin glass
- Crimpable ferrule M8 included
- Lighthouse is well suited to be installed in a sauna.

Can be illuminated with a fibre or LED.
Recommended fibre \varnothing 2 - 4 mm or one Cariitti LED.

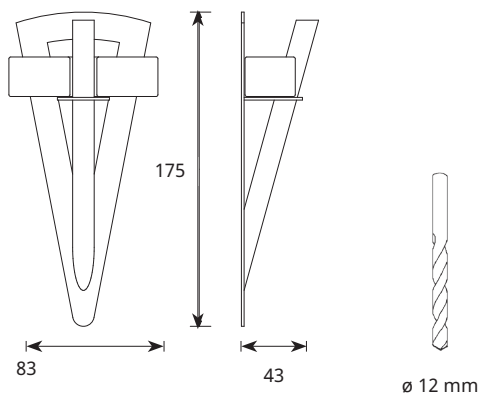


TORCH

TL-100
Code 1545801

- 1 x S-Flex 2 - 4 M8
- Stainless steel AISI 304
- Satin glass
- Wooden pin
- Crimpable ferrule M8 included
- Torch is well suited to be installed in a sauna.

Can be illuminated with a fibre or LED.
Recommended fibre \varnothing 2 - 4 mm or one Cariitti LED.



SAUNA LINEAR GLASS

SAUNA LINEAR GLASS
Code 1545844

- 2 x S-Flex 6
- Optical glass bar \varnothing 8 mm
- Length 1680 mm, can be cut
- Sauna Linear Glass is a fibre optic fitting that can be installed in the sauna ceiling. The fitting is illuminated with a glass fibre from both ends.
- The recommended projector VPL30 XL (1501487, page 48)



SIGNUM



SIGNUM
Code 1516671

Lighting control with capacitive switch Signum, which allows controlling lights with touch. Can be placed behind the wall panel, which enables you to adjust the sauna lighting by touching the marked position on the wall panel. The quick touch turns the lights on/off, and the slow touch dims/brightens the lights. Works with power supply OTi DALI 15W/150mA (1532296, page 59) or control unit LL1-CV-SC (1532346, page 58).







FANTASIA

FANTASIA
Code 1589017

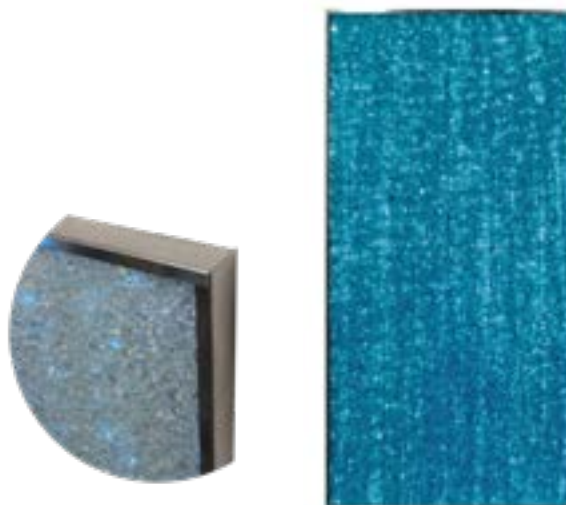
Crushed glass panel 1000 x 500 x 35 mm is like a painting. Fantasia is illuminated with two 6 mm fibres and it can be installed in a sauna behind an electric heater. A dashing and therapeutic element that changes character according to the chosen light effect.

Depending on the chosen projector you can create effects like fire flame, northern lights or colour change. With clear white light Fantasia looks like crushed ice. The projector and fibres to be ordered separately.

- 2 x S-Flex 6 M8

FANTASIA FIBRE HARNESS F602
Code 1506015

- S-Flex 6: 2 x 3 m M8





STEAM ROOM LIGHTING

Steam room can be lit with Cariitti LED lighting set. The selection includes also various crystal lights, sconces and traditional downlights.

STEAM BATH LED SETS



STEAM BATH LED SET 6 3000 K

Code 1532609

- Includes 6 LEDs 3000 K with 5 m cables, an extension cable 5 m, serial connection module and a dimmable power supply (IP20) OTi DALI 15 (150 mA).

STEAM BATH LED SET 3 3000 K

Code 1532653

- Includes 3 LEDs 3000 K with 5 m cables, an extension cable 5 m, serial connection module and a dimmable power supply (IP20) OTi DALI 15 (150 mA).

EXPANSION SET 3000 K WITH 3 LEDS



EXPANSION SET WITH 3 LEDS 3000 K

Code 1532610

- Includes 3 LEDs with 5 m cables.

EXTENSION CABLES



EXTENSION CABLE 1,5 M

Code 1532607

EXTENSION CABLE 5 M

Code 1532608

SERIAL CONNECTION MODULE



SERIAL CONNECTION MODULE

Code 1532212

- Includes jumpers 7 pcs

LED 3000 K WITH 5 M CABLE



LED 3000 K WITH A 5 M CABLE

Code 1532383

JUMPERS 6 PCS



JUMPERS 6 PCS

Code 1532634

VOLITARE



VOLITARE RGBW LED

Code 1532494



- RGBW 2.5 W / 200 mA
- Serial connection
- Includes a 5.2m connecting cable
- Suitable for use with all Cariitti lighting fittings with M8 twist
- See suitable power supplies on page 60
- IP67



STEAM ROOM LIGHT FITTINGS

The steam room light fittings are suitable to be used with both LED sets and fibre optic sets. The selection includes a wide range of sconces, crystals and starlight sets.



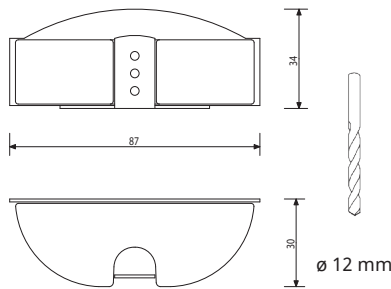
75 STARLIGHT FIBER SET

75 STARLIGHT FIBER SET
Code 1509102

- 75 pcs of CK 0.75 fibers
- An LED adapter included
- LED to be ordered separately (see page 11 and 22)
- Fiber length 4m



LIGHTHOUSE



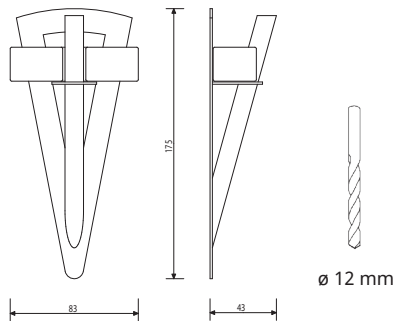
LIGHTHOUSE
Code 1545802

Lighthouse is well suited to be used in a steam room or a sauna.

Can be illuminated with a fibre or LED.
Recommended fibre \varnothing 2 - 4 mm or one Cariitti LED (white or RGBW).

Material: Stainless steel AISI 304 and satin glass.

TORCH WITH ACRYLIC PIN



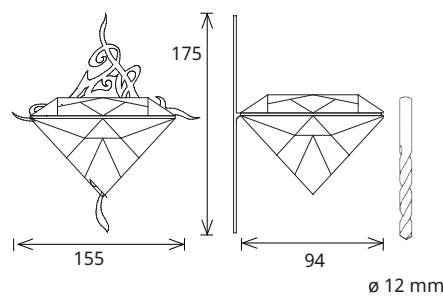
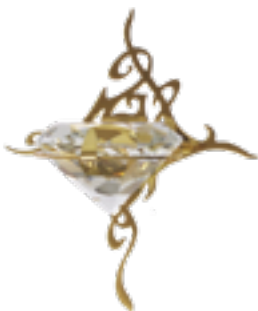
TORCH WITH ACRYLIC PIN
Code 1545823

Torch is well suited to be used in a steam room. It is not recommended to be used in a sauna due to the acrylic part.

Can be illuminated with a fibre or LED.
Recommended fibre \varnothing 2 - 4 mm or one Cariitti LED (white or RGBW).

Material: Stainless steel AISI 304, acrylic pin and satin glass.

KIHLA



KIHLA Stainless steel
Code 1545830

KIHLA Gold
Code 1545831

Kihla is a decorative light fitting, ideal for a steam bath.

Can be illuminated with a fibre or LED.
Recommended fibre \varnothing 4 mm or one Cariitti LED (white or RGBW).

Material: Stainless steel AISI 304 or gold-plated brass and lead-free crystal.

Design: Frida Lindstrom

SY

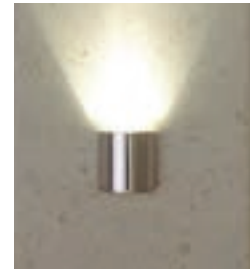
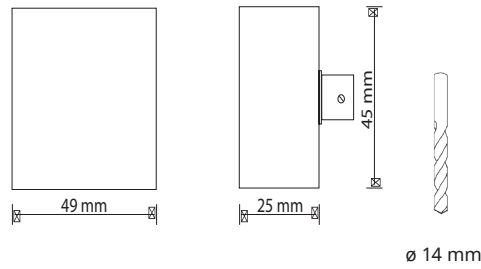
SY Stainless steel
Code 1545030

SY Gold
Code 1545032

Mostly used in steam rooms. SY gives light up or down.

Can be illuminated with a fibre or LED.
Recommended fibre \varnothing 4 mm or one Cariitti LED (white or RGBW).

Material: Stainless steel AISI 304 or gold-plated brass.



SX

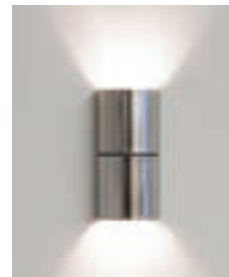
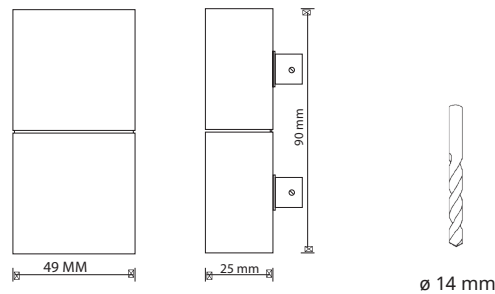
SX Stainless steel
Code 1545034

SX Gold
Code 1545035

Mostly used in steam rooms. SX gives light up and down.

Can be illuminated with two fibres or LEDs.
Recommended fibres \varnothing 4 mm or two Cariitti LEDs (white or RGBW).

Material: Stainless steel AISI 304 or gold-plated brass.



SY SQ

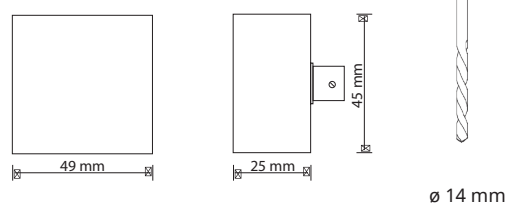
SY SQ Stainless steel
Code 1545075

SY SQ Gold
Code 1545076

Mostly used in steam rooms. SY SQ gives light up or down.

Can be illuminated with a fibre or LED.
Recommended fibre \varnothing 4 mm or one Cariitti LED (white or RGBW).

Material: Stainless steel AISI 304 or gold-plated brass.



SX SQ

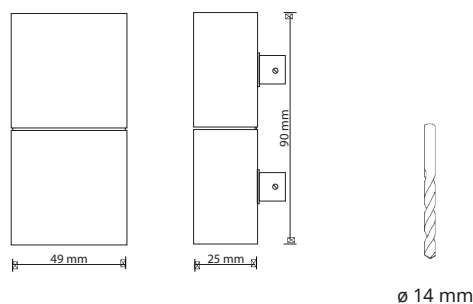
SX SQ Stainless steel
Code 1545077

SX SQ Gold
Code 1545078

Mostly used in steam rooms.
SX SQ gives light up and down.

Can be illuminated with two fibres or LEDs.
Recommended fibres \varnothing 4 mm or two Cariitti LEDs (white or RGBW).

Material: Stainless steel AISI 304 or gold-plated brass.



CRYSTAL KIT 6

Code 1532621 Chrome
Code 1532622 Gold

Includes crystals CR-12, CR-16 and CR-31, 2 pcs each.



ø 12 mm



CR-12 KIT 3

Code 1532623 Chrome
Code 1532624 Gold

Includes 3 crystals CR-12.



ø 12 mm



CR-16 KIT 3

Code 1532625 Chrome
Code 1532626 Gold

Includes 3 crystals CR-16.



ø 12 mm



CR-31 KIT 3

Code 1532627 Chrome
Code 1532628 Gold

Includes 3 crystals CR-31.



ø 12 mm



GP-65 KIT 6

Code 1532619 Gold
Code 1532620 Chrome

Includes 6 pcs of GP-65 fittings.



ø 12 mm



CR-05 KIT 6

Code 1532615 Gold, clear
Code 1532616 Gold, satin
Code 1532617 Chrome, clear
Code 1532618 Chrome, satin

Includes 6 pcs of CR-05-fittings.



ø 12 mm



CR-20 KIT 3

Code 1532629 Chrome
Code 1532630 Gold

Includes 3 crystals CR-20.



ø 12 mm



CR-30 KIT 3

Code 1532631 Chrome
Code 1532632 Gold

Includes 3 crystals CR-30.



ø 12 mm



S-PAVER 3200 IP68

S-PAVER 3200 IP68
Code 1553034

S-PAVER 3200 GOLD IP68
Code 1545217

- 1 W / 350 mA, 3000 K
- Equipped with a 5 m connection cable
- Power supply to be ordered separately, see page 59.

S-PAVER RGBW 3200
Code 1553042

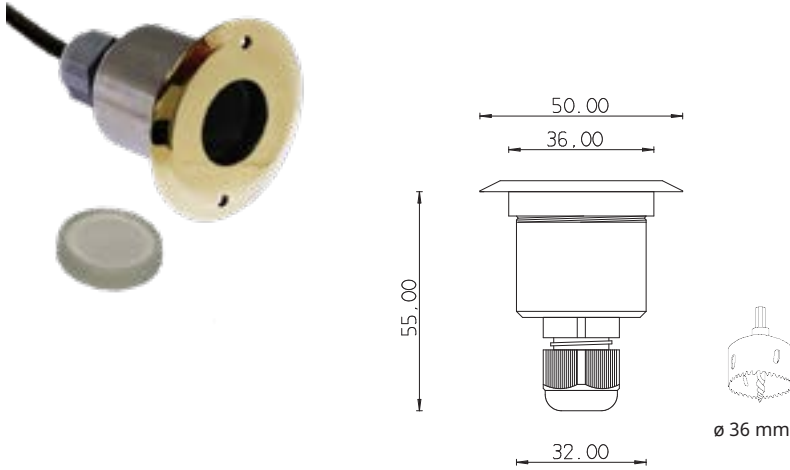


S-PAVER RGBW 3200 GOLD IP68
Code 1553044



- RGBW 2.5 W / 200 mA
- Equipped with a 5.2 m connection cable
- Power supply to be ordered separately, see page 60.

NB! All S-Paver fittings are delivered with both clear and satin glass.

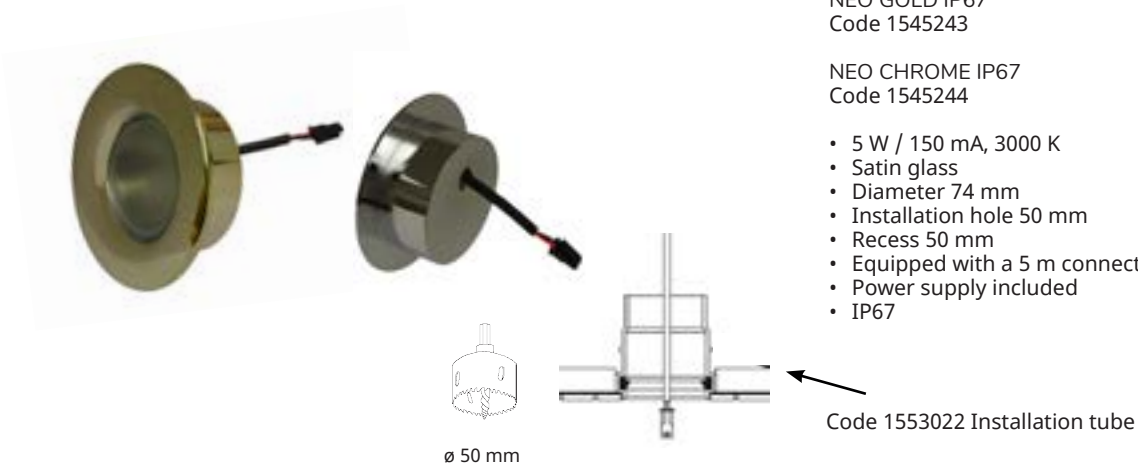


NEO IP67

NEO GOLD IP67
Code 1545243

NEO CHROME IP67
Code 1545244

- 5 W / 150 mA, 3000 K
- Satin glass
- Diameter 74 mm
- Installation hole 50 mm
- Recess 50 mm
- Equipped with a 5 m connection cable
- Power supply included
- IP67

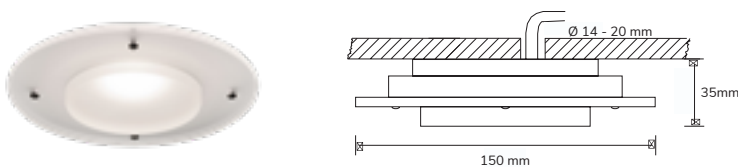


KUU SATIN IP67

KUU SATIN IP67
Code 1545239

Acrylic frame
Satin glass

- 5 W / 150 mA, 3000 K
- Equipped with a 5 m connection cable
- Power supply included
- IP67

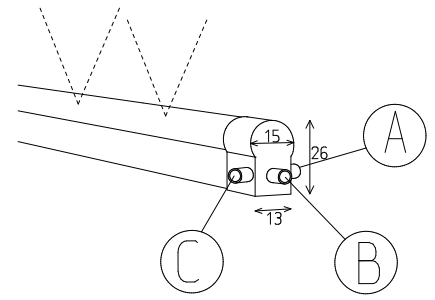


STEAM BATH FLEX

STEAM BATH FLEX IP67

3000 K Code 1532069 feeding from side (A/C)
 3000 K Code 1532480 feeding from end (B)
 RGBW Code 1532159 feeding from side (A/C)
 RGBW Code 1532483 feeding from end (B)

- White 3000 K - 12 W/m, 24 V
- RGBW 18 W/m, 24 V
- H 22 mm x W 9,5 mm
- Metal clips and fixed 5,2m feeding cable included.
- Constant voltage LED driver to be ordered separately, see pages 58 and 61.
- IP67



STEAM BATH FLEX SQ IP67

3000 K Code 1532487 feeding from end

- White 3000 K - 12 W/m, 24 V
- H 12 mm x W 6 mm
- Metal clips and fixed 5,2m feeding cable included.
- Constant voltage LED driver to be ordered separately, see page 58.
- IP67



POOL LIGHTS

Cariitti pool lights are well suited for the illumination of pools and jacuzzis. With pool lights you can also illuminate steams rooms and walkways of moist areas and emphasize beautiful details better than with any traditional lights.



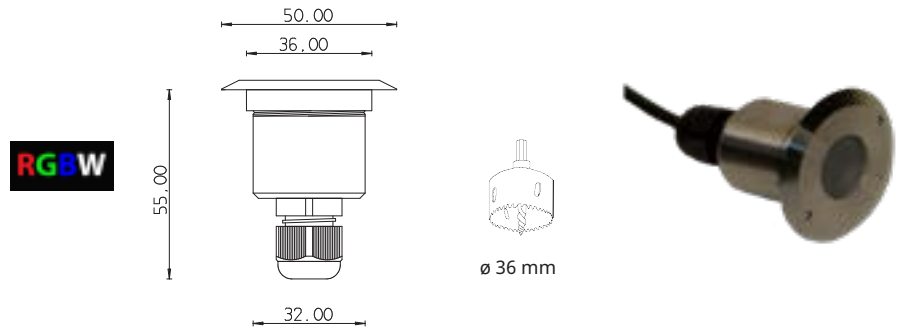
NB! Serial connection only. Luminaire equipped with a 5 m connection cable. There is also available a ready-to-install extension cable length 5 m (with IP67 connector), code 1532242. Power supply to be ordered separately, see pages 59-60.

S-PAVER 3200

S-PAVER 3200
Code 1553034
• 3000 K, 1 W / 350 mA, IP68

S-PAVER RGBW 3200
Code 1553042
• RGBW 2.5 W / 200 mA, IP68

S-PAVER 3200 FOR OPTIC FIBRE
Code 1553008



NB! All S-Paver fittings are delivered with both clear and satin glass. Material AISI 316L.

Installing accessories for S-Paver 3200

PP32-S14 TUBE
Code 1553020

PP32-S16 PLUG
Code 1553021



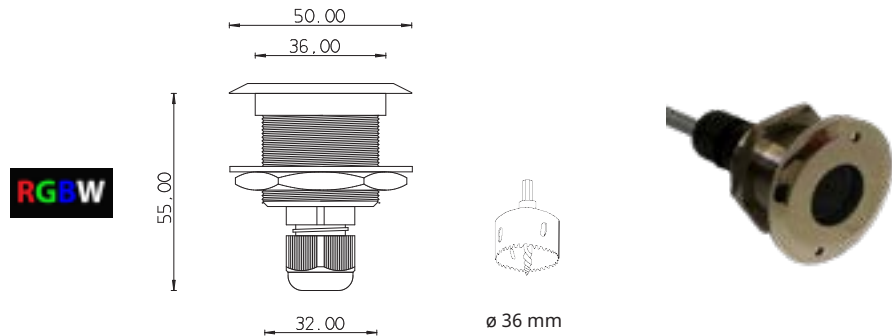
∅ 32 mm/49 mm ←→ 85 mm

S-PAVER 3300

S-PAVER 3300
Code 1553037
• 3000 K, 1 W / 350 mA, IP68

S-PAVER RGBW 3300
Code 1553043
• RGBW 2.5 W / 200 mA, IP68

S-PAVER 3300 FOR OPTIC FIBRE
Code 1553010



NB! All S-Paver fittings are delivered with both clear and satin glass. Material AISI 316L.



STARLIGHT SETS

Cariitti Starlight sets include a projector and fibres. Some projectors have twinkle effect which makes the starlight slowly twinkle. Starlight sets are also available with crystals which create an even more beautiful effect.



STARRY SKY SIZE RECOMMENDATION

SURFACE AREA	1-2 m ²	2 - 3 m ²	3 - 4 m ²	4 - 6 m ²	6 - 10 m ²	10 - 20 m ²
THESE NUMBERS ARE RECOMMENDATIONS. BY USING CRYSTALS THE NUMBER OF FIBRE STRANDS CAN BE REDUCED.	75 pcs	75-100 pcs	75-150 pcs	100-200 pcs	150-300 pcs	300-600 pcs

LED STARLIGHT SETS WITH 75 FIBRES

Power	Fibre length 4.0 m	Total stars	Fibre	Type	Code	K
1 W	75	75	C-Flex 7	Starlight set 75 L	1532650	3000 K
1 W	75	75	C-Flex 7	Starlight set 75 K	1532651	4000 K



LED CRYSTAL STAR SET

Power	Fibre length 4.0 m	Total stars	Fibre	Type	Code	K
1 W	75	75	C-Flex 7	Crystal Star Chrome	1532611	4000 K

This set includes a plastic fibre harness and 6 LED crystals: 2 x CR-12, 2 x CR-16 and 2 x CR-31.



VPAC STANDARD SETS

2,5 m	3,0 m	3,5 m	4,0 m	Total stars	Fibre	Type	Code	
50	50			100	C-Flex 6	VPAC-1530-CEP100	1527460	
50	50			100	C-Flex 6	VPAC-1540-CEP100	1527461	
50	50	50	50	200	C-Flex 6	VPAC-1530-CEP200	1527464	
50	50	50	50	200	C-Flex 6	VPAC-1540-CEP200	1527465	

These sets include a plastic fibre harness and a VPAC projector. Projector VPAC-1530 has a warm LED 3000K and projector VPAC-1540 a cold LED 4000K - choose your favorite.

You can complete these sets with crystals, illuminated with LEDs. Select the LED set 3000K or 4000K on page 11 and crystal kit on page 26.



VPL30 CRYSTAL STAR

2,0 m	2,5 m	3,0 m	3,5 m	Total Stars	Fibre	Type	Code
25 / 4	25 / 5	25 / 5	25 / 4	118	CK 0,75 / C-Flex 3	VPL30T Crystal Star Chrome	1527610
25 / 4	25 / 5	25 / 5	25 / 4	118	CK 0,75 / C-Flex 3	VPL30T Crystal Star Gold	1527611
25 / 4	25 / 5	25 / 5	25 / 4	118	CK 0,75 / C-Flex 3	VPL30CT Crystal Star Chrome	1527612
25 / 4	25 / 5	25 / 5	25 / 4	118	CK 0,75 / C-Flex 3	VPL30CT Crystal Star Gold	1527613



Crystal Star sets include a plastic fibre harness with 100 pcs of thin (0,75mm) fibres and 18 pcs of thicker (3mm) fibres with Crystal fittings, 6 x CR-12, 6 x CR-16 and 6 x CR-31. The light sources of the projector are white LEDs with twinkle effect (T) or blue LEDs with blue twinkle effect (CT).

VPL30 STANDARD SETS WITH TWINKLE EFFECT

2,5 m	3,0 m	3,5 m	4,0 m	4,5 m	Total Stars	Fibre	Type	Code
50	50				100	C-Flex 6	VPL30T-CEP100	1527601
50	50	50	50		200	C-Flex 6	VPL30T-CEP200	1527603
	75	75	75	75	300	C-Flex 7	VPL30T-300	1527608

These sets include a plastic fibre harness and a projector with white LEDs as the light source. The projector has a twinkle effect (T) that makes the stars slowly twinkle imitating the real starry sky.

VPL30 STANDARD SETS WITH BLUE TWINKLE EFFECT

2,5 m	3,0 m	3,5 m	4,0 m	4,5 m	Total Stars	Fibre	Type	Code
50	50				100	C-Flex 6	VPL30CT-CEP100	1527605
50	50	50	50		200	C-Flex 6	VPL30CT-CEP200	1527607
	75	75	75	75	300	C-Flex 7	VPL30CT-300	1527609

These sets include a plastic fibre harness and a projector with blue LEDs as the light source. The projector has a blue twinkle effect (CT) that makes the stars slowly twinkle in bluish colours imitating the real starry sky.

VPL30 STANDARD SETS WITH KALEIDOSCOPE EFFECT

2,5 m	3,0 m	3,5 m	4,0 m	4,5 m	Total Stars	Fibre	Type	Code
50	50				100	C-Flex 6	VPL30KT-CEP100	1527614
50	50	50	50		200	C-Flex 6	VPL30KT-CEP200	1527615
	75	75	75	75	300	C-Flex 7	VPL30KT-300	1527616

These sets include a plastic fibre harness and a projector with kaleidoscope effect, produced by white, blue and cyan coloured LEDs.

Crystals and SADE fittings can be used with all Cariitti LED lighting sets, see page 11. SADE is easy to install with the enclosed locking springs. Installation hole \varnothing 12 mm.

SADE

SADE 345
Code 1545833

Lengths of the crystal chains:
150 / 185 / 215 mm

SADE 567
Code 1545835

Lengths of the crystal chains:
215 / 250 / 285 mm

- Recess 20 mm
- Lead-free crystal





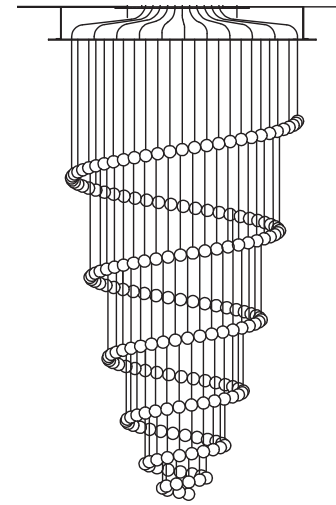
CHANDELIERS AND SPACE DIVIDERS

With Kimmel fiber optic chandeliers and Pirta curtains, you will get a striking eye-catcher or a space divider in a room.

KIMMEL

FIBRE OPTIC CHANDELIERS WITH INTEGRATED LED PROJECTORS

Code	Type	Height	Diameter	Weight	Chrytals
1527810	Kimmel 1	180 cm	56 cm	11 kg	150
1527811	Kimmel 2	250 cm	66 cm	13 kg	200
1527812	Kimmel 3	350 cm	66 cm	25 kg	200
1527813	Kimmel 4	350 cm	98 cm	32 kg	250
1527814	Kimmel 5	450 cm	98 cm	34 kg	250



The fibre optic chandelier is comprising preinstalled threadlite tails fitted to a metal recessed base and applied with crystal fittings to form a ready-to-install chandelier package. LED projectors are integrated inside the luminaire. IP44.



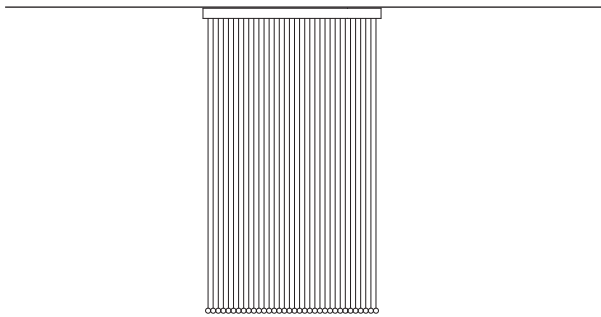
PIRTA

CURTAIN PARTITIONS WITH INTEGRATED LED PROJECTORS

Code	Type	Height	Width	Weight	Crystals
1527827	Flat 0.8	200 cm	80 cm	17 kg	80
1527826	Flat 1.2	200 cm	120 cm	26 kg	120
1527829	Flat 1.6	200 cm	160 cm	34 kg	160

The fibre optic curtain partition is comprising preinstalled threadlite tails fitted to a metal recessed base and applied with crystal fittings to form a ready-to-install curtain package. LED projectors are integrated inside the luminaire. IP44.

The curtain partition can be installed on a ceiling or wall, to be specified upon order. Other lengths are available on order.



Pirta Flat





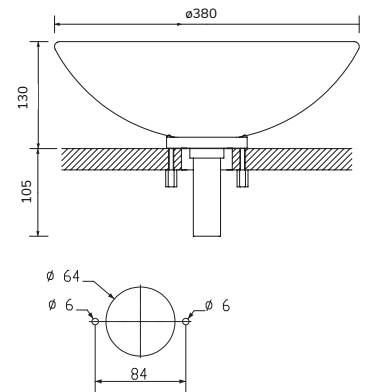
BATHROOM LIGHTING

In Cariitti bathroom creations, traditional lighting fixtures are replaced by LED illuminated glass basins and towel hooks.

GLASS BASIN Ø 380

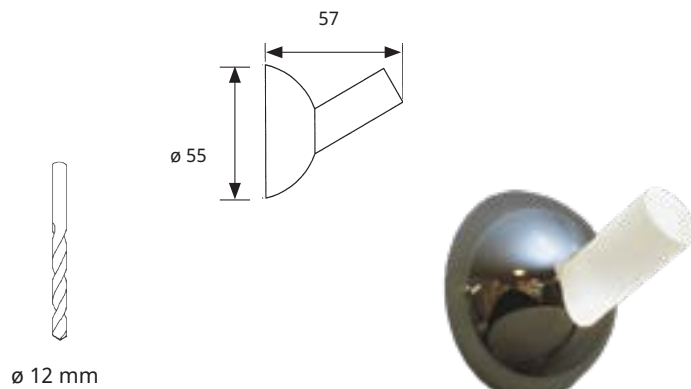
Code 1545672

- Max. power 3.1 W, IP67
- A 5 m connecting cable included.
- Complete kit, a power supply IP20 included.



Recommended ambient temperature from -30°C to +40°C.

CRB-30



Code 1545552

- Stainless steel
- Satin glass

Can be illuminated with a fibre or LED.
Recommended fibre Ø 2 - 4 mm or one Cariitti LED.

CLARA

CLARA WHITE
Code 1554517

CLARA CHROME
Code 1554518

CLARA BLACK
Code 1554519

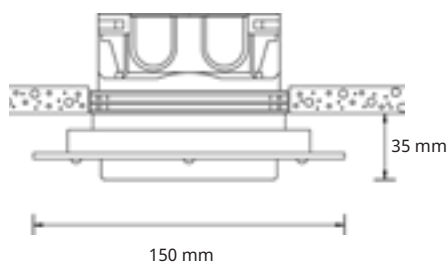
- Dimmable colour temperature 4000 – 2200 K, 550 lm
- 8 W, 220 – 240 V
- Ra > 90
- Light opening angle 40°
- Adjustable
- Material: aluminium
- Diameter \varnothing 95 mm
- Recess 47 mm
- Installing hole \varnothing 83 mm
- Power supply included
- IP44

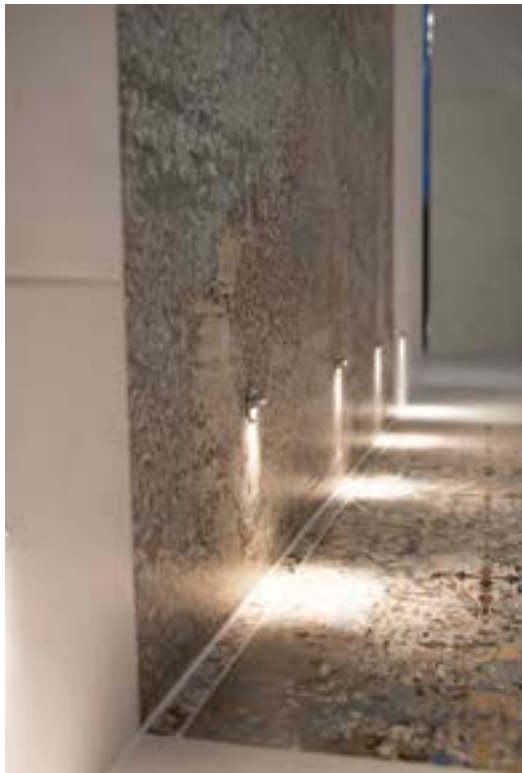


KUU SATIN 230

KUU SATIN 230
Code 1554006

- 3000 K, 421 lm
- 8 W, 230 V
- Ra >80
- Acrylic frame, satin glass
- Installation to a junction box
- Supply voltage LED light, no power supply needed, Triac dimmable
- IP44





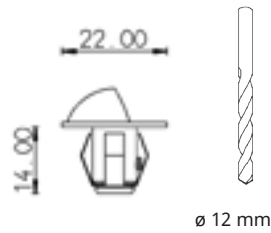
GP-65 KIT 6

GOLD Code 1532619
 CHROME Code 1532620

Includes 6 pcs of GP-65 fittings

Available in chrome and gold.
 Ideal for lighting floor surfaces and various niches both in moist and dry places.

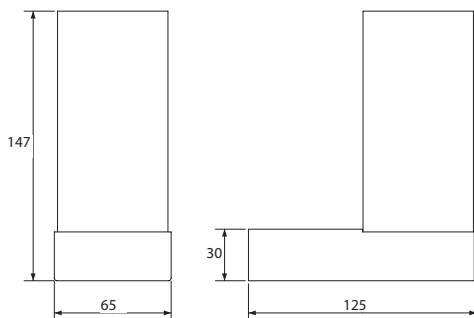
Can be used with LED and fibre optic sets.



TOIVE

TOIVE
Code 1527844

- 2 x 1 W
- 350 mA
- IP44
- Stainless steel frame
- Lead-free crystal
- Power supply included
- A 5 m connecting cable included



Toive is a modern crystal light fitting. The light reflects through the crystals and creates beautiful and exciting figures on the wall. Toive is ideal for both homes and public premises: in lounges, hallways or in a bedroom above the bedside tables.

Design: Frida Lindström

ARCTIC SKY

ARCTIC SKY
Code 1589030

Crushed glass panel 500 x 500 x 30 mm is like a painting. Can be illuminated with one 6 mm fibre or LED. A dashing and therapeutic element that changes character according to the chosen light effect.

Depending on the chosen projector you can create effects like fire flame, northern lights or colour change. With clear white light the panel looks like crushed ice.

- 1 x C-Flex 6 M8
- 1 x Cariitti LED, see page 11 and 22

ARCTIC SKY RGBW
Code 1589026

- RGBW 2.5 W/200 mA
- Serial connection
- Power supply to be ordered separately, see page 60.
- IP44



LED PROFILE LIGHTS

The lights of Huuhto Easy product family are ideal for the lighting of a bathroom, kitchen and various worktops. The selection consists of ready-made LED lighting profiles and various corner pieces and fittings. There is also available a socket outlet box with an integrated power supply and switch, quite unique in the market.

Available also in IP65, RGBW IP67 and individual lengths on order. The recommended maximum length is 2 meters.



HUUHTO EASY

HUUHTO EASY is quick and easy to install. The profiles are connected to each other with enclosed connectors. The profiles are fastened invisibly on the installation surface with enclosed clips. The satin cover reduces the LED spot effect to minimum. The cover is mounted inside the profile edges, preventing the side glare of light.

HUUHTO EASY lights are suitable for a diverse use. They are ideal for kitchen unit lighting and well suited for indirect lighting through ceiling surface. They can also be used in the edge of a table to illuminate the front surface of drawers and cupboards. In these installations HUUHTO provides an excellent light inside the drawers when opening them.

Length (mm) / K	Power W	Voltage V	Lumen	Code
330/3000 K 330/4000 K	5 W 5 W	24 V 24 V	278 lm 315 lm	1532450 1532456
520/3000 K 520/4000 K	8 W 8 W	24 V 24 V	470 lm 534 lm	1532451 1532457
620/3000 K 620/4000 K	10 W 10 W	24 V 24 V	547 lm 621 lm	1532452 1532458
1000/3000 K 1000/4000 K	16 W 16 W	24 V 24 V	945 lm 1073 lm	1532453 1532459
1480/3000 K 1480/4000 K	24 W 24 W	24 V 24 V	1415 lm 1607 lm	1532454 1532460
1960/3000 K 1960/4000 K	32 W 32 W	24 V 24 V	1890 lm 2147 lm	1532455 1532461

- Broad spread of light, suitable e.g. for illumination of kitchen units, shelves and ceiling and wall surfaces, IP44.
- To be noted in installation planning that the connector of the supply cable will add the total length with 20-40 mm.
- Easy to install with the enclosed clips.
- Profile size: width 18 mm, height 16 mm
- The total length of connected profiles is max 5 m.



CONNECTION WIRE 100 MM

ADJUSTMENT FITTINGS, A PAIR

Code 1532363

Code 1532361



SUPPLY CABLE 5 M

SUPPLY CABLE 5 M, WITH 90 DEGREE ANGLE

Code 1532118

Code 1532133



CORNER PIECE

Code 1532362
52 x 52 mm



- requires a connection wire 100 mm (1532363)
- suitable to be used with invisible clips

Additional information of power supplies and controllers on page 58.

SOCKET OUTLET BOX 30 W



SOCKET OUTLET BOX 30 W
Code 1532364

- Socket outlet box with an integrated power supply 30W and switch
- L160 mm, W190 mm, H60 mm
- Colour: white

SOCKET OUTLET BOX



SOCKET OUTLET BOX
Code 1532365

- Socket outlet box without a power supply
- L160 mm, W190 mm, H60 mm
- Colour: white

POWER SUPPLY 30 W



POWER SUPPLY 30 W
Code 1532287

POWER SUPPLY 75 W



POWER SUPPLY 75 W
Code 1532288

POWER SUPPLY 120 W



POWER SUPPLY 120 W
Code 1532299

CONTROLLER LL1-CV-SC



CONTROLLER LL1-CV-SC
Code 1532346

- Controller for push-button control

CONTROLLER LL1-CV-DA



CONTROLLER LL1-CV-DA
Code 1532289

- Controller for DALI control

FIBRE OPTIC PROJECTORS

Among the range of Cariitti projectors you will easily find a model to suit your own lighting solutions and type of installation.

All our projectors are equipped with an LED light source. This ensures the excellent light quality and long lifetime. The product range includes also RGBW projectors with colour change, as well as projectors with various effects.



VPL10



VPL10
Code 1501414

- 95-240 V, 1.7 W / 350 mA, IP55
- LED 3000 K, 50.000 h
- Electronic power supply
- Not dimmable
- Weight 0.1 kg
- Max. 75 strands

VPL10 X
Code 1501412

- 230V, 5 W / 700 mA, IP55
- LED 3000 K, 50.000 h
- Electronic power supply
- Not dimmable
- Weight 0.1 kg
- Max. 75 strands



VPAC



VPAC-1527 16.5 W
Code 1501780 • 2700 K

VPAC-1530 15 W
Code 1501781 • 3000 K

VPAC-1540 14.5 W
Code 1501782 • 4000 K

- 230V, 1500 lm, IP65
- L145 x W150 x H83 mm
- LED, 50.000 h
- Mains dimmable
- Weight 1.0 kg



Replaces the previous halogen projectors VP33, VP15 and VP3.

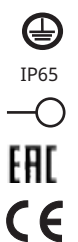
VPL30X



VPL30 XL 34.5 W
Code 1501487 • 3000 K

VPL30 XK 34 W
Code 1501488 • 4000 K

- 90-264 V, 700 mA, 1950 lm, IP65
- L250 x W150 x H83 mm
- LED, 50.000 h,
- Max Ta +40 °C
- Electronic power supply
- Dimmable 1-10 V
- Weight 2.1 kg



VPL30X DALI



VPL30X L DALI 33 W
Code 1501524 • 3000 K

VPL30X K DALI 33 W
Code 1501525 • 4000 K

- 230V, 500 mA, 1380 lm, IP65/IP20
- L 145 x W 150 x H 83
- LED, 50.000h
- Max Ta +40 C
- Electronic power supply IP20
- Dimming with DALI / push-button
- Weight 1.5 kg



VPL10UV



VPL 10 UV
Code 1501795

- 230V / 1.7 W / 350mA / IP55
- LED, 425 - 430 nm
- Electronic power supply
- Not dimmable
- Weight 0.1 kg
- Max 75 strands



VPL30UV



VPL 30 UV
Code 1501796

- 230V, 30 W / 230 mA, IP65
- LED, 425 - 430 nm
- L250 x W150 x H83 mm
- Max Ta +40 °C
- Electronic power supply
- Dimmable 1-10 V
- Weight 2.1 kg



VPL 30 EFFECT OPTIONS	KT	T	CT	NL	FL
KALEIDOSCOPE, PRODUCED BY WHITE, BLUE AND CYAN COLOURED LEDS	•				
TWINKLE, CLEAR TWINKLE EFFECT, PRODUCED BY LEDS 4000 K		•			
BLUE TWINKLE, PRODUCED BY BLUE AND CYAN COLOURED LEDS			•		
NORTHERN LIGHT, EFFECT WITH CHANGING COLOURS BLUE, GREEN AND MAGENTA, PRODUCED BY LEDS				•	
FIRE FLAME, EFFECT WITH CHANGING COLOURS ORANGE, YELLOW AND AMBER, PRODUCED BY LEDS					•

VPL30 WITH EFFECTS



- VPL30
- 90-264 V / 13 W
 - L250 x W150 x H83 mm
 - LED, 50.000 h
 - Electronic power supply
 - IP65
 - Weight 2.1 kg



Type	Code	KT	T	CT	NL	FL
VPL30KT	1501456	•				
VPL30T	1501452		•			
VPL30CT	1501453			•		
VPL30NL	1501454				•	
VPL30FL	1501455					•

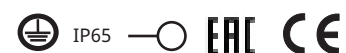
VPL30C



Type	Code
VPL30C - RF	1501791
VPL30C - DALI	1501792
VPL30C- DMX	1501793
VPL30C - RF incl. control panel	1501794



- VPL30C
- 230V / 19 W
 - L250 x W150 x H83 mm
 - LED, 50.000 h
 - Electronic power supply
 - IP65
 - Weight 2.1 kg
- RED 3 W (53 lm)
 - GREEN 4 W (210 lm)
 - BLUE 4 W (134 lm)
 - WHITE 2 W (150 lm)



The projector VPL30C is available with several control options. The most popular ones are RF control with wireless wall panel and DALI control. The applications can be loaded from AppStore for iPhone and iPad, and from GooglePlay for Android. With the application you can control the colours and brightness of your projector or choose a ready-made program.



OPTIC FIBRES

With optic fibres light can be taken everywhere. There is no electricity or heat in the fibres, there is only light. When producing a fibre bundle the projector end is hermetically sealed to keep the fibre clean and later prevent it from melting. The projector end is protected with a thermal protection filter. All fibre joints and endings in the fibre bundle are made without adhesives using the so-called dry polishing method which gives the best light conductivity performance on the market.

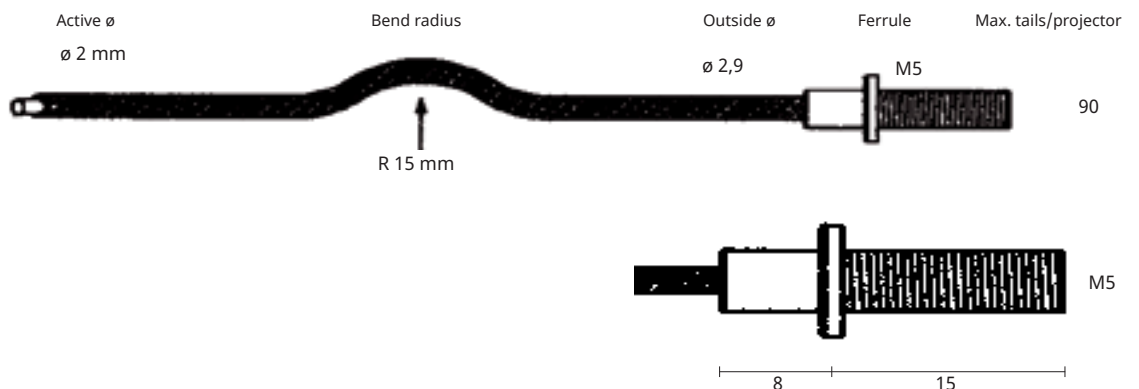


BARE PLASTIC SINGLE CORE FIBRE

Type	Code	Active Ø	Outside Ø mm	Bend Radius mm	Ferrule	Max.tails/projector
CK 0.75	1530016	0.75	0.75	5	-	650

PLASTIC SINGLE CORE FIBRE WITH BLACK OUTER TUBING

Type	Code	Active Ø	Outside Ø mm	Bend Radius mm	Ferrule	Max.tails/projector
CK-FLEX 2	1530010	2	2.5	15	M5	90



PLASTIC STRANDED FIBRES



- C-Flex plastic fibres are made of 0.75 mm strands, e.g. a 4 mm fibre consists of 25 single 0.75 mm strands.
- The light transmitting of plastic fibres is excellent, the light reduction is approx. 3% / m.
- The recommended ambient temperature is -40 °C - +80 °C.
- The recommended fibre length is max 10 m.

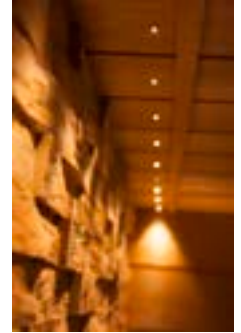


	0,75 strands/ fibre	Active ø	Bend radius	Outside ø	Ferrule	Max. tails/projector
C-FLEX 2 Code 1530005	7	ø 2,1 mm	R 7,5 mm	ø 5	M5/M8	92
C-FLEX 3 Code 1530006	13	ø 3,0 mm	R 10 mm	ø 5,6	M5/M8	50
C-FLEX 4 Code 1530007	25	ø 4,3 mm	R 15 mm	ø 7	M8	26
C-FLEX 6 Code 1530008	50	ø 6 mm	R 20 mm	ø 10	M8	13
C-FLEX 7 Code 1530009	75	ø 7,5 mm	R 28 mm	ø 11,5	M10	8

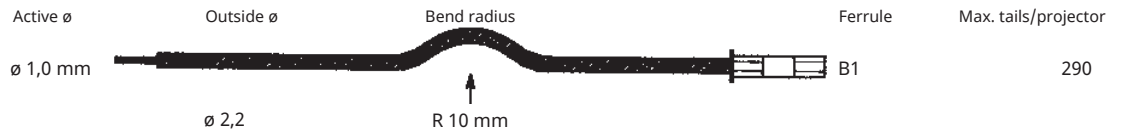
GLASS FIBRES

GLASS FIBRES

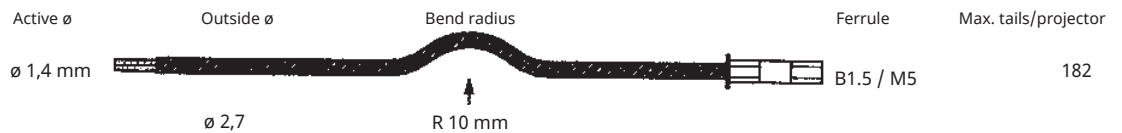
- Glass fibres are produced of 0.05 mm glass strands. The fibre is flexible and easy to handle.
- The recommended ambient temperature of glass fibres is -50 °C - +180 °C.
- Glass fibres do not wear out and they can be used both indoors and outdoors.
- The light transmitting is excellent, the light reduction is approx. 5% / m.
- The recommended fibre length is max 10 m.



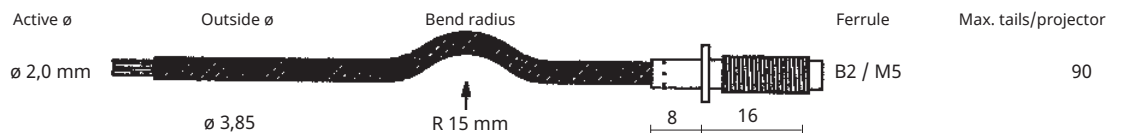
S-FLEX 1
Code 1530300



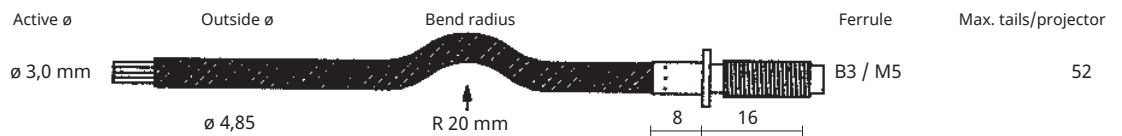
S-FLEX 1,5
Code 1530301



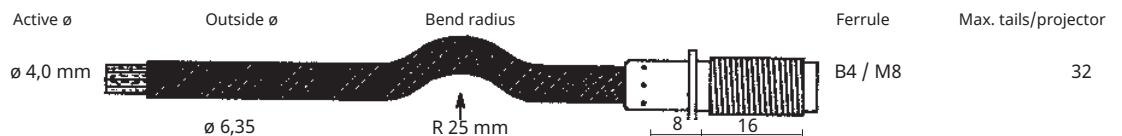
S-FLEX 2
Code 1530302



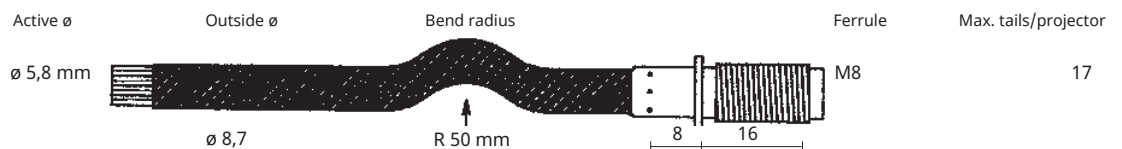
S-FLEX 3
Code 1530303



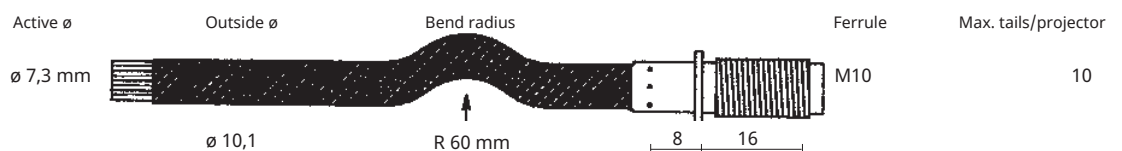
S-FLEX 4
Code 1530304



S-FLEX 6
Code 1530306



S-FLEX 7
Code 1530307



LATERAL GLASS FIBRE

SIDELIGHT – GLASS FIBRE Ø 4.85 MM

Code 1530203

- Sidelight glass fibre can be used to create e.g. decorative lighting and effects.
- The recommended ambient temperature of Sidelight fibres is $-40\text{ }^{\circ}\text{C}$ - $+200\text{ }^{\circ}\text{C}$.
- The recommended fibre length is max 3 m, lit from one end, or max 5 m, lit from both ends.
- The recommended projector VPL10 for a single fibre.
- The minimum bend radius 15 mm.



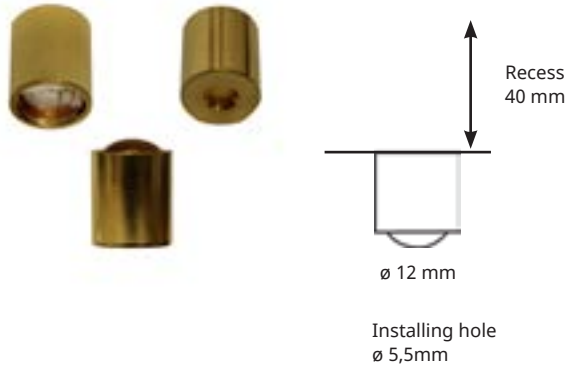
Lateral fibres are used to illuminate and emphasize various forms and shapes e.g. in a sauna.



Fittings are easy to install. Colours gold, chrome and white. Installation surface min. 6 mm. At the end of a fibre, the light angle is approx. 40-60°. With a lens fitting, the light can be focused to a 25-35° angle depending on the lens.

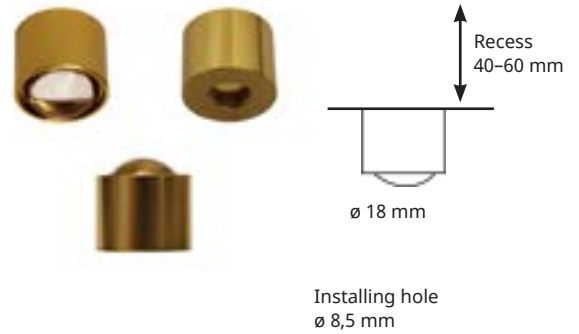
CR-09 M5

Code 1540082 Gold
Code 1540083 Chrome



CR-18 M8

Code 1538006 Gold
Code 1538009 Chrome



CR-01 M5

Code 1540048 Gold
Code 1540049 Chrome



CR-07 KIT 6

Code 1532641 Chrome, clear
Code 1532642 Chrome, satin
Code 1532643 Gold, clear
Code 1532644 Gold, satin
Code 1532645 Black, clear
Code 1532646 Black, satin

- Each set includes 6 pcs.
- For a fibre with M5 ferrule requires an extendable ferrule (1548435, page 56).



EXTENDABLE FERRULE M5/6 MM

Code 1548435

- Extendable ferrule, converts 5 mm ferrule to fit LED fittings.



EXTENDABLE FERRULE M5/M8

Code 1548405

- Extendable ferrule, converts 5 mm ferrule to 8 mm ferrule.



EXTENDABLE FERRULE 6 MM/M8

Code 1538021

- Extendable ferrule, converts 6 mm LED to 8 mm ferrule.



ADAPTER FOR EXTENSION FIBRE (VPL 10)

Code 1548434

- Extendable adapter for connecting extension fibre with M8 ferrule to projectors VPL 10 (1501414 and 1501412).
- Extension fibre with M5 ferrule requires additionally an Extendable Ferrule M5/M8 (1548405).



CRIMPABLE FERRULE M5

Code 1538013

- Extendable ferrule, converts crimped B1.5 ferrule to 5 mm ferrule.



MOUNTING SLEEVE FOR A FIBRE

Code 1548436 Chrome
Code 1548437 Gold

- Can be used for fibre installation, for example in a "sandwich" type of sauna cabin roof structure.
- The sleeve is drilled into the hole and tightened with the enclosed nut.
- Length 115 mm
- Installing hole \varnothing 10 mm
- Includes a fitting CR-01 (page 55) with an O-ring to tighten the fibre.
- Suitable for use with all fibres with M5 thread



CRIMPABLE FERRULE M5/M8

Code 1538020

- Extendable ferrule, converts crimped B2 or 5 mm ferrule to 8 mm.



LOCKING RING SET M5

Code 1540110 Gold
Code 1540111 Chrome

- Includes 5 rings



\varnothing 9 mm





POWER SUPPLIES, CONTROL MODULES AND REGULATORS

Power supplies and control modules are available with push button, DALI and DMX control options.

LL1X30-E-CV24

Code 1532287

Independent constant voltage LED driver

- Constant voltage output 24V
- Maximum output power 30 W
- Suitable for use with LL1xCV-DA driver extension for DALI dimmable solutions
- Ambient temperature range Ta -15 ... +45°C
- Wire size 0.5 – 1.5 mm²
- Dimensions L153 mm x W41 mm x H32 mm
- Weight 150 g
- IP20



LL1X75-E-CV24

Code 1532288

Independent constant voltage LED driver

- Constant voltage output 24V
- Maximum output power 75 W
- Suitable for use with LL1xCV-DA driver extension for DALI dimmable solutions
- Ambient temperature range Ta -15 ... +45°C
- Wire size 0.5 – 1.5 mm²
- Dimensions L180 mm x W52 mm x H30 mm
- Weight 280 g
- IP20



LL1X120-CV24

Code 1532299

Independent constant voltage LED driver

- Constant voltage output 24V
- Maximum output power 120 W
- Suitable for use with LL1xCV-DA driver extension for DALI dimmable solutions.
- Ambient temperature range Ta -20...+45°C
- Wire size, 0.5 - 1.5 mm²
- Dimensions P 300 mm x L 40 mm x K 30 mm.
- Weight 425 g
- IP20



OL1X30-E-CV24

Code 1532293

Independent constant voltage LED driver

- Constant voltage output 24V
- Maximum output power 30 W
- Suitable for use with LL1xCV-DA driver extension for DALI dimmable solutions
- Ambient temperature range Ta -15 ... +45°C
- Wire size, load wires 0.75 mm²
- Wire size, mains wires 1.0 mm²
- Dimensions L131 mm x W42 mm x H34 mm
- Weight 340 g
- IP67



OL1X75-E-CV24

Code 1532292

Independent constant voltage LED driver

- Constant voltage output 24V
- Maximum output power 75 W
- Suitable for use with LL1xCV-DA driver extension for DALI dimmable solutions
- Ambient temperature range Ta -15 ... +45°C
- Wire size, load wires 0.75 mm²
- Wire size, mains wires 1.0 mm²
- Dimensions L155 mm x W50 mm x H32 mm
- Weight 454 g
- IP67



LL1-CV-DA

Code 1532289

The LL1-CV-DA DALI dimmable extension unit is designed to be used with constant voltage LED drivers, creating solutions for decorative lighting.

- DALI control input, 0.1 % - 100 % dimming range
- 1 kHz PWM dimming frequency
- Stand-by power < 0.1 W
- Duplicate terminals for parallel connection
- Maximum output power 120 W
- Ambient temperature range Ta -20 ... +50°C
- Wire size 0.5 – 1.5 mm²
- Dimensions L184 mm x W40 mm x H26 mm
- Weight 70 g
- IP20



LL1-CV-SC

Code 1532346

LL1-CV-SC dimmable extension unit for push-button control

- Switch-Control input, 0.1 % - 100 % dimming range
- 1 kHz pulse-width modulation (PWM) frequency
- Stand-by power < 0.1W
- Duplicated terminals for parallel connection
- Maximum output power 120 W
- Ambient temperature range Ta -20...+50°C
- Wire size 0.5 - 1.5 mm²
- Dimensions L184 mm x W40 mm x H26 mm
- Weight 70 g
- IP20



DALI CONTROL

Code 1545715

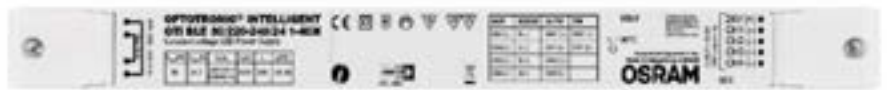


OTI BLE 80/220-240/24 1-4 CH

Code 1532137

LED driver to control white light and its colour temperature, incl. dim-to-warm. Also input and control of the LED modules of RGB and RGBW. Equipped with integrated CASAMBI light control system.

- Nominal input voltage 220...240 V
- Frequency 50...60 Hz
- Input voltage AC 198...264 V
- Constant voltage output 24V
- Maximum output power 80 W
- Galvanic isolation SELV
- Ambient temperature range Ta -20 ... +45°C
- Wire size 0.2 - 1.5 mm²
- Dimensions L346 mm x W32 mm x H22 mm
- Weight 191 g
- IP20



OTI DALI 10

150 mA Code 1532443

350 mA Code 1532449

- Nominal input voltage 220...240 V
- Frequency 50...60 Hz
- Partial load 1 - 12 W
- Ambient temperature range Ta -20...+50°C
- Wire size 0.2 - 1.5 mm²
- Dimensions L124 mm x W31 mm x H21 mm
- Weight 100 g
- IP20



OTI DALI 15

150 mA Code 1532296

350 mA Code 1532442

- Nominal input voltage 220...240 V
- Frequency 50...60 Hz
- Partial load 3 - 15 W
- Ambient temperature range Ta -20...+50°C
- Wire size 0.2 - 1.5 mm²
- Dimensions L95 mm x W53 mm x H30 mm
- Weight 100 g
- IP20



POWER SUPPLY FOR MAX 3 LEDS

Code 1545240

- Nominal input voltage 95...240 V
- Frequency 50...60 Hz
- Output current 350 mA
- Partial load 1 - 3 W
- Ambient temperature range Ta -20...+60°C
- Wire size 0.2 - 1.5 mm²
- Dimensions L86 mm x W86 mm x H39 mm
- Weight 140 g
- IP55



POWER SUPPLY FOR 3 - 6 LEDS

Code 1545245

- Nominal input voltage 220...240 V
- Frequency 50...60 Hz
- Output current 350 mA
- Partial load 3 - 6 W
- Ambient temperature range Ta -20...+50°C
- Wire size 0.2 - 1.5 mm²
- Dimensions L150 mm x W86 mm x H39 mm
- Weight 140 g
- IP20
- Dimming with Trailing Edge dimmer (TE)





LED CONTROL MODULE RF 75W 4CH 200 mA
Code 1532495

- 4-channel RF constant current control module, dimmable
- Nominal input voltage 200 – 240 VAC
- Output power 72 W
- Output current 4 x (200 – 1500) mA
- Output voltage 8 – 48 VDC
- Ambient temperature range Ta -25...+45°C
- Compatible with WIFI-RF converter and RF control panel
- Wire size 0.5 - 1.5 mm²
- Dimensions L244 mm x W64 mm x H32 mm
- Weight 442 g
- IP20



RGBW DRIVER SET 200 mA
Code 1532590

- RGBW driver set with RF control module (1532495)
- Partial load 3 - 5 LEDs
- 4-channel RF constant current control module, dimmable
- Nominal input voltage 200 – 240 VAC
- Output power 72 W
- Output current 4 x (200 – 1500) mA
- Output voltage 8 – 48 VDC
- Ambient temperature range Ta -25...+45°C
- Compatible with WIFI-RF converter and RF control panel
- Wire size 0.5 - 1.5 mm²



LED CONTROL MODULE RF 75W 4CH
Code 1532440

- 4-channel constant current control module RF, dimmable
- Nominal input voltage 200 – 240 VAC
- Output power 72 W
- Output current 4 x (250 – 1500) mA
- Output voltage 8 – 48 VDC
- Ambient temperature range Ta -25...+45°C
- Compatible with WIFI-RF converter and RF control panel
- Wire size 0.5 - 1.5 mm²
- Dimensions L244 mm x W64 mm x H32 mm
- Weight 442 g
- IP20



LED CONTROL MODULE DALI 75W 4CH
Code 1532347

- 4-channel constant current control module DALI DT6, dimmable
- Nominal input voltage 200 – 240 VAC
- Output power 72 W
- Output current 4 x (250 – 1500) mA
- Output voltage 8 – 48 VDC
- Ambient temperature range Ta -20...+45°C
- Compatible with DALI control panel in DALI Master network
- Wire size 0.5 - 1.5 mm²
- Dimensions L244 mm x W64 mm x H32 mm
- Weight 444 g
- IP20



LED CONTROL MODULE DMX 75W 4CH
Code 1532367

- 4-channel constant current control module DMX, dimmable
- Nominal input voltage 200 – 240 VAC
- Output power 72 W
- Output current 4 x (250 – 1500) mA
- Output voltage 8 – 48 VDC
- Ambient temperature range Ta -25...+45°C
- Compatible with all formats of DMX512
- Compatible with DMX control panel
- Wire size 0.5 - 1.5 mm²
- Dimensions L244 mm x W64 mm x H32 mm
- Weight 442 g
- IP20



LED CONTROL MODULE RF 100W 4CH
Code 1532441

- 4-channel constant voltage control module RF, dimmable
- Nominal input voltage 100 – 240 VAC
- Output power 100 W
- Output voltage 24 VDC
- Ambient temperature range Ta -20...+45°C
- Compatible with WIFI-RF converter and RF control panel.
- Wire size 0.5 - 1.5 mm²
- Dimensions L244 mm x W64 mm x H32 mm
- Weight 532 g
- IP20



LED CONTROL MODULE DALI 100W 4CH
Code 1532348

- 4-channel constant voltage control module DALI DT6, dimmable
- Nominal input voltage 100 – 240 VAC
- Output power 100 W
- Output voltage 24 VDC
- Ambient temperature range Ta -20...+45°C
- Compatible with DALI control panel in DALI Master network.
- Wire size 0.5 - 1.5 mm²
- Dimensions L244 mm x W64 mm x H32 mm
- Weight 510 g
- IP20



LED CONTROL MODULE DMX 100W 4CH
Code 1532368

- 4-channel constant voltage control module DMX, dimmable
- Nominal input voltage 100 – 200 VAC, output power 80 W
- Nominal input voltage 201 – 277 VAC, output power 96 W
- Output voltage 24 VDC
- Ambient temperature range Ta -20...+45°C
- Compatible with all formats of DMX512.
- Compatible with DMX control panel
- Wire size 0.5 - 1.5 mm²
- Dimensions L244 mm x W64 mm x H32 mm
- Weight 514 g
- IP20



WIFI-RF CONVERTER
Code 1532345

- Converts WiFi signal to RF
- Free software can be downloaded from AppStore or GooglePlay
- Dimensions 109.7 x 84.7 x 24.2 mm
- Operating voltage 12-24V
- Output RF Signal
- Operation frequency 2.4G



RGBW CONTROL PANEL RF
Code 1532344

Wireless RF control panel for the light control of projector VPL30C RF (1501791) or RF control module.

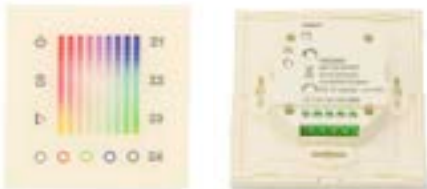
- 100 - 240 V
- 4 zones, 10 modes
- Easy to use touch interface operation design
- Suitable for alternating current or constant voltage use
- Operation frequency: 434MHz /869.5MHz /916.5MHz
- Dimensions 86 x 86 mm



RGBW CONTROL PANEL DALI
Code 1532366

Wireless DALI control panel for the light control of DALI control module. Requires DALI Master network.

- 95 - 240 V
- 4 zones, 10 modes
- Easy to use touch interface operation design
- Suitable for alternating current or constant voltage use
- Compatible with control modules 1532347 or 1532348 (see pages 60-61)
- Dimensions 86 x 86 mm



RGBW CONTROL PANEL DMX
Code 1532369

Wireless DMX control panel for the light control of DMX control module.

- 95 - 240 V
- 4 zones, 10 modes
- Easy to use touch interface operation design
- Suitable for alternating current or constant voltage use
- Compatible with control modules 1532367 or 1532368 (see pages 60-61)
- Operation frequency: 434MHz /869.5MHz
- Dimensions 86 x 86 mm





Cariitti

Cariitti Oy
Niittyrinne 2B, FI-02270 Espoo, Finland
Tel. +358 9 221 9040, sales@cariitti.com
www.cariitti.com