

EL[®]MARK

The Brand of Electricity

CLIVE SERIES



GENERAL INFORMATION »

- ∴ Input Voltage: 220-240VAC
- ∴ Lamp holder: E27
- ∴ Material: Metal
- ∴ Color of the body: Black
- ∴ Lamps: Not Included, max 40W on lamp holder
- ∴ IP Rate: IP20

FEATURES »

- ∴ Modern and attractive design
- ∴ Environmentally friendly - no mercury and lead
- ∴ Modern design
- ∴ No ultraviolet and infrared rays
- ∴ Resistant to shock and vibration stable body
- ∴ Low heat emission

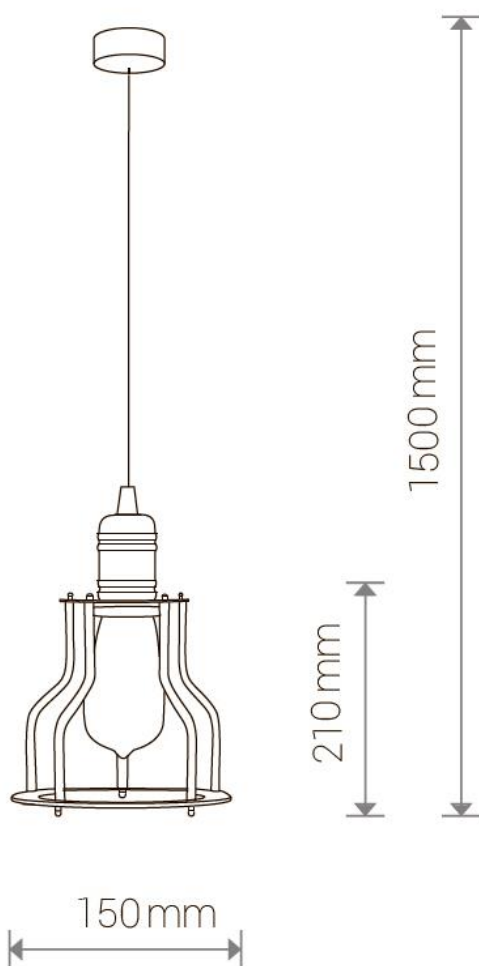
AREAS OF APPLICATION »

- ∴ General illumination
- ∴ Domestic applications
- ∴ Home interior
- ∴ Cafeteria
- ∴ Restaurants

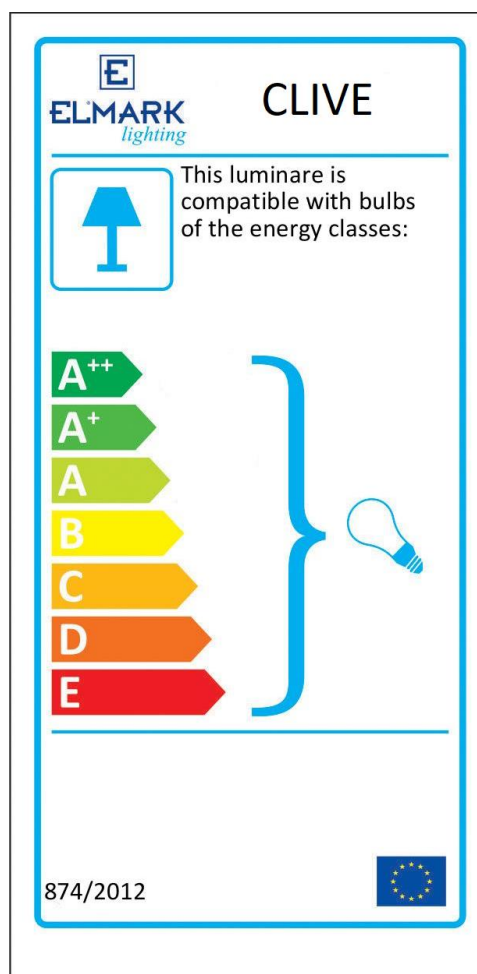
PRODUCT DETAILS »

Catalogue number	Description	Colour	Lamp holder
955CLIVE1/BL	Pendant	Black	1xE27

DIMENSIONS »



ADDITIONAL INFORMATION »



Catalogue number	Barcode	Packing/ Box (pcs)
955CLIVE1/BL	3800131228772	1/1