

# EL<sup>®</sup>MARK

The Brand of Electricity

## LED EMERGENCY FIXTURE EL3LED



# TECHNICAL SPECIFICATION

## EMERGENCY LIGHTS

**ELMARK**<sup>®</sup>

The Brand of Electricity

---

### Technical data:

---

- Rated voltage: 230V/ 50-60Hz
- Power: 5W
- Discharge time: 3h
- Colour temperature: 6000K
- LED source: SMD 2835
- Colour body: White
- Body: PVC
- Colour rendering index: Ra≥80
- Long life: 20 000h
- Protection against dust and moisture: IP21

---

### Features:

---

- Long life LED technology
- Maintained or non-maintained 3-hour emergency backup
- Slim-line driver module
- Sleek & minimalist design
- Low environmental impact
- Low maintenance

---

### Area of application:

---

- Corridors
- Stairwells
- Variety of commercial and public areas where a concentrated emergency light is required

# TECHNICAL SPECIFICATION

## EMERGENCY LIGHTS

**ELMARK**<sup>®</sup>

The Brand of Electricity

---

### Basic data:

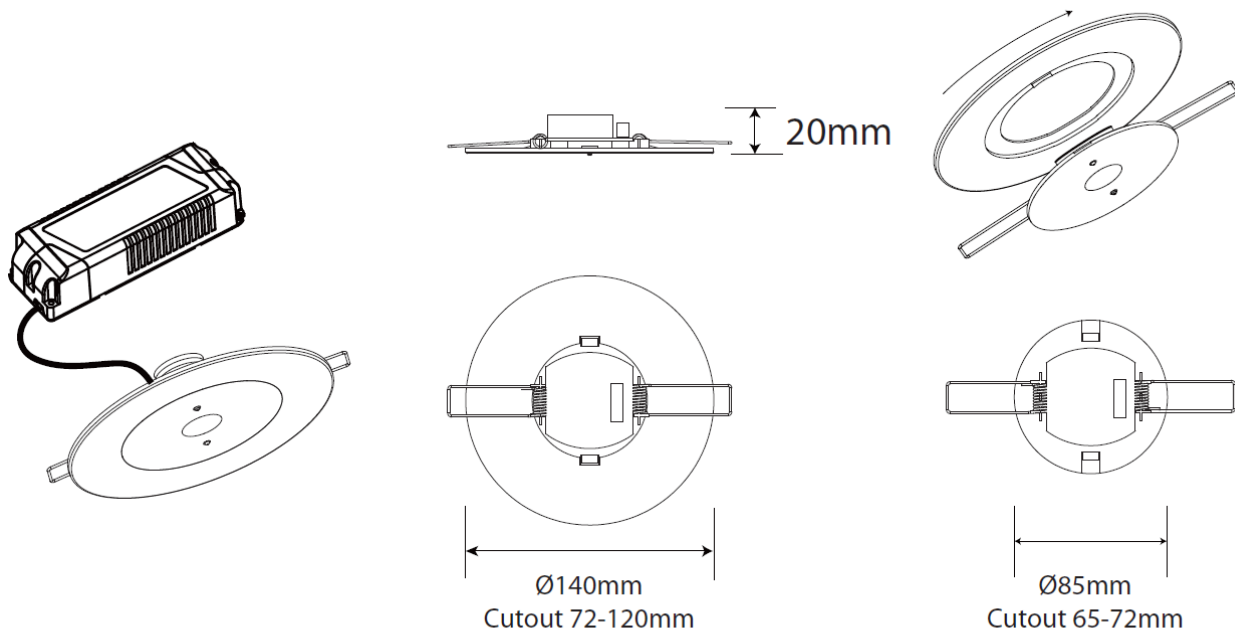
---

Catalogue number	Watt (W)	Whole fixture lumens (lm)	Colour temp. (K)	Discharge time (h)	Colour body	Packing/Box (pcs)
92EL3LED	5	150	6000	3	white	1/1

---

### Dimensions:

---



# TECHNICAL SPECIFICATION

## EMERGENCY LIGHTS

# ELMARK<sup>®</sup>

The Brand of Electricity

### Installation:

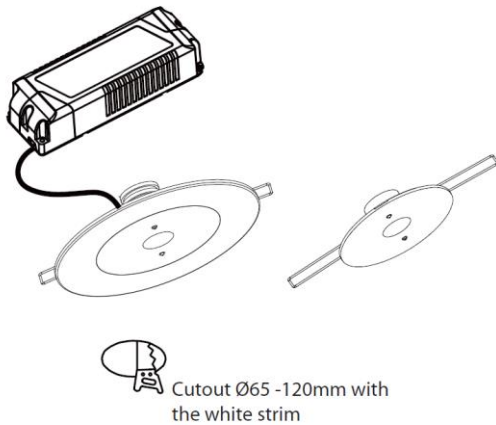


Fig 1. This luminaire requires a round hole Ø65 - 120mm to be cut into the ceiling for correct installation.

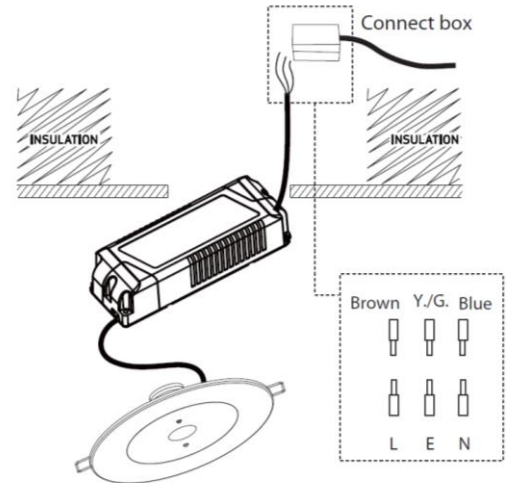


Fig 2. Connect the Driver to AC power supply 220-240V, 50/60Hz. Connect battery to the driver by means of the quick fix connector.

Put the driver on the top of insulation.

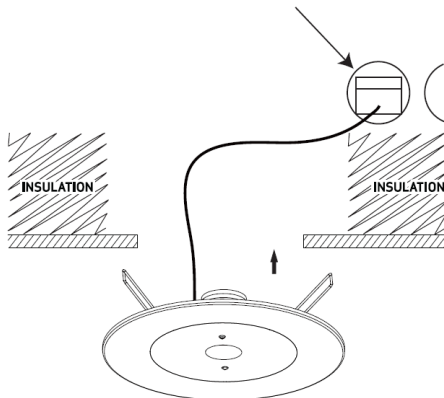
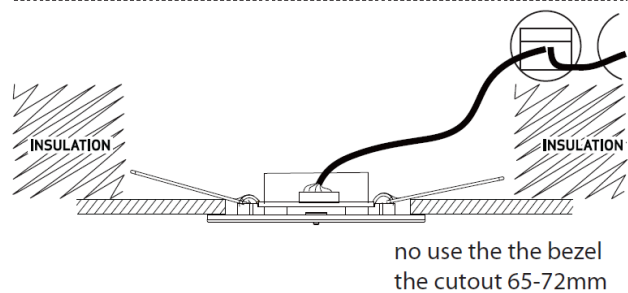
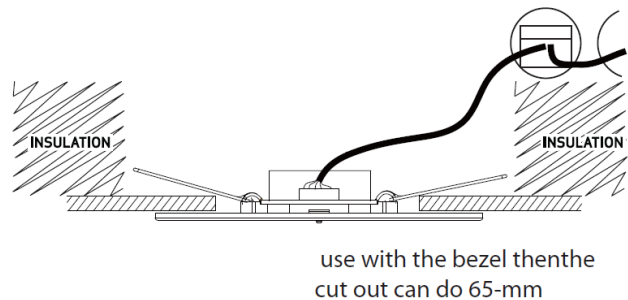


Fig 3. Offer the luminaire up to cut-out with the springs being held vertically.

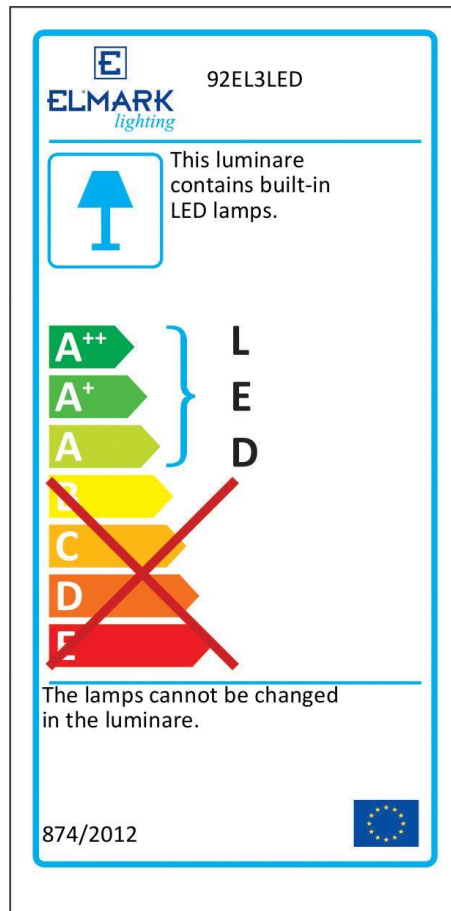


# TECHNICAL SPECIFICATION

## EMERGENCY LIGHTS

**ELMARK**<sup>®</sup>

The Brand of Electricity



- EN 55015 • EN 61000-3-2 • EN 61000-3-3 • EN 61547 • EN 60598-1 • EN 60598-2-4 • EN 60598-2-22 •
- EN 13032-4 •

