

ELMARK[®]

The Brand of Electricity

LED GROUND FIXTURE GRF54



AREA OF APPLICATION »

- ∴ Suitable for outdoor use
- ∴ Walkway decorative lighting projects.
- ∴ Gardens
- ∴ Parks

GENERAL INFORMATION »

- ∴ Input voltage: AC85-265V
- ∴ Power: 20W
- ∴ LED driver: Waterproof isolated driver
- ∴ Colour temperature: 3000K; 4000K
- ∴ LED source: Epistar LED
- ∴ Beam angle: 90°
- ∴ Colour rendering index: Ra > 70
- ∴ Material: Die-casting aluminum
- ∴ Colour: Black
- ∴ Wire: 3*0.75mm² PVC 30cm length
- ∴ Protection against dust and moisture: IP65

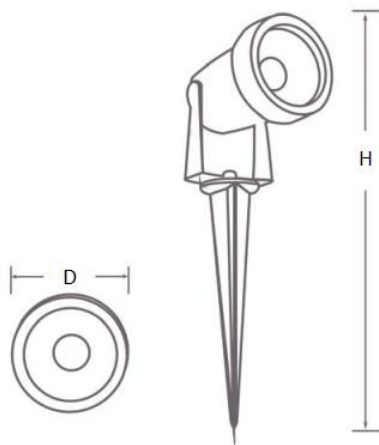
FEATURES »

- ∴ Highly efficient replacement of conventional lighting fixtures
- ∴ Stable working performance with long time usage.
- ∴ Low power consumption and eco-friendly.
- ∴ Easy to install
- ∴ Low power consumption
- ∴ Instant light with maximum luminous flux
- ∴ Resistant to shock and vibration stable body

PRODUCT DETAILS »

Catalogue number	Watt (W)	Whole fixture lumens (lm)	Colour temp. (K)	Colour
96GRF54/209022W	20	2000	3000	Black
96GRF54/2090220	20	2000	4000	Black

DIMENSIONS »



Catalogue number	D (mm)	H (mm)
96GRF54/209022W	140	315
96GRF54/2090220	140	315

