

EL[®]MARK

The Brand of Electricity SOLAR FIXTURE SOL WITH SENSOR



GENERAL INFORMATION »

- ∴ Power: 50W
- ∴ LED type: 2835SMD/ 55pcs
- ∴ Beam Angle: 90°
- ∴ Battery: 3.7V/7200mAh
- ∴ Sensor range: 6m
- ∴ Detection angle: 120°
- ∴ Material: ABS+PC housing, Aluminum bracket, Anti-UV
- ∴ Colour body: black
- ∴ Installation Height: Less than 5Mtrs
- ∴ Solar Panel Cable: 3Mtrs long
- ∴ Protection against dust and moisture: IP65

FEATURES »

- ∴ Flexible design, lamp can be used separately or connected with solar panel.
- ∴ Solar power supply and environment-friendly
- ∴ With USB interface design, can be charged and discharged via USB, like a power bank.
- ∴ PIR sensor detective with different working modes.
- ∴ Both the lamp body and solar panel are designed with hand-screw screws, which can adjust the angles without using tools. It is simple and convenient to adjust.

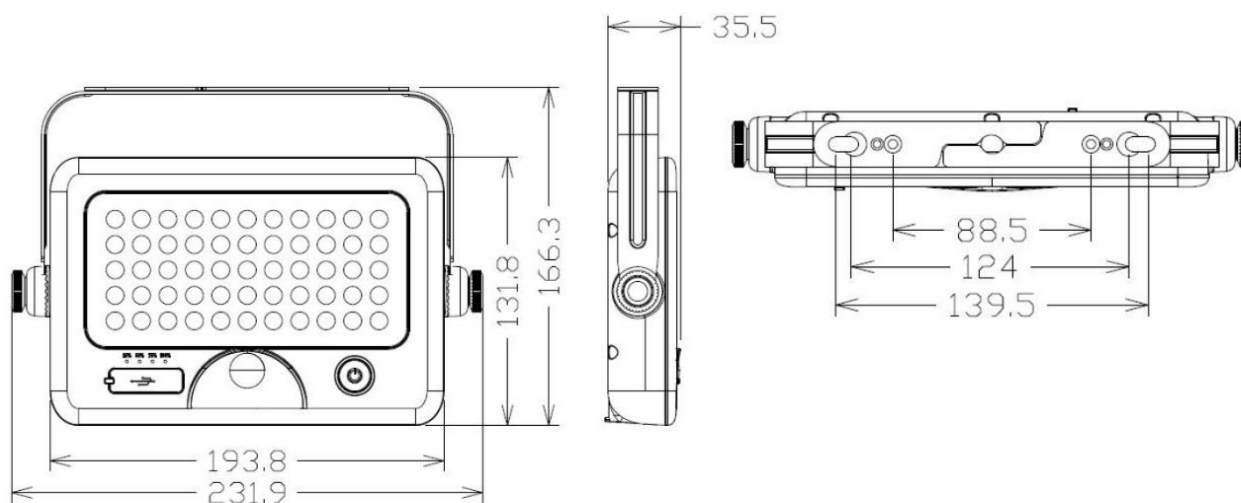
TECHNICAL SPECIFICATION SHEET

PRODUCT DETAILS »

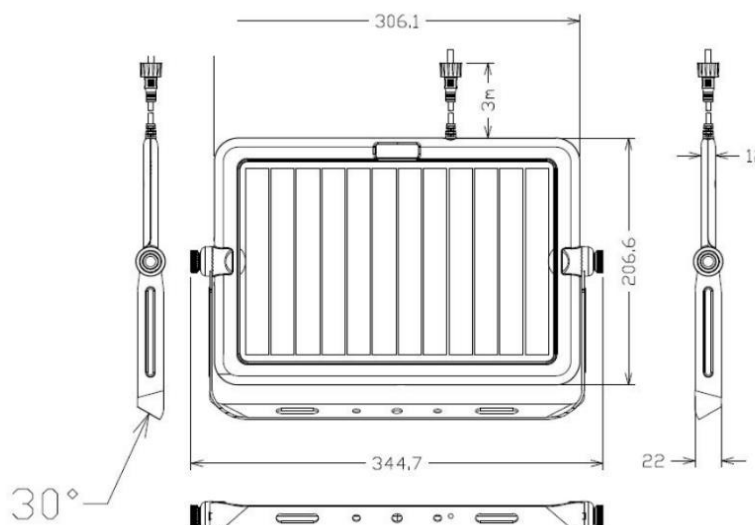
Catalogue number	LED QTY	Power (W)	Whole fixtures lumens (lm)	Colour	Battery (V/mAh)
98SOL302	55	50	1100	Black	3.7V/ 7200mAh

DIMENSIONS »

Lamp



Solar Panel



WORKING MODES »



Function A: Lamp works separately without solar panel connected, light sensor and PIR sensor are both disabled, lamp works at constant brightness.



Mode A1: Press the button 1st time, it turns on with 30% brightness.

Mode A2: Press the button 2nd time, it turns to 100% brightness.

Mode A3: Press the button 3rd time, it turns off.

Function B: Lamp works with solar panel connected together, light sensor & PIR sensor will be both activated automatically.

Mode B1: Press the button 1st time, automatically turns on to 100% brightness(1100lm) at night when motion is detected in the range ≤ 8 mtrs, then dim to 5% brightness in 20 seconds of no motion.



Mode B2: Press the button 2nd time, automatically turns on at night and remain 100% brightness(1100lm) constantly, after 5hours or when battery capacity is below 30%, it turns to Mode B1.



Mode B3: Press the button 3rd time, it turns off.

Function C: Lamp works as a power bank with charge and discharge function.



External DC→Micro interface: DC5V, Max loading current is 1.5A.

* External DC5V input is required, current is not limited. However please

note the max loading current of Micro is 1.5A.

* It takes around 5Hrs to fully charged by 1.5A.

USB interface→External DC: DC5V,1.0A


* Can charge one cellphone 2-3 times.


APPLICATIONS »

All the area inconvenient in electricity but full of sunshine.


- ∴ **Lamp separate without solar panel:** work light, camping, emergency, flashlight, power bank etc.
- ∴ **Lamp with solar panel connected:** walls, garden, square, farm, motor homes, courtyard, parking lot, balcony, villa, zoo, boat, pavilion, alley, warehouse, bus station, holiday resort etc.

ADDITIONAL INFORMATION »



98SOL302



This luminaire contains built-in LED lamps.



The lamps cannot be changed in the luminaire.

874/2012


Catalogue number	Barcode	Packing/Box (pcs)
98SOL302	3800131229182	1

