

# EL<sup>®</sup>MARK

The Brand of Electricity

## GOLIA GARDEN LED FIXTURES



### GENERAL INFORMATION »

- ∴ Rated voltage: 230V/ 50-60Hz
- ∴ Power: 8W
- ∴ Colour temperature: 4000K
- ∴ Lamp holder: E27
- ∴ Lamp included
- ∴ Colour: Black
- ∴ Lantern body: Resin with clear glass
- ∴ UV resistant
- ∴ Insulation class II
- ∴ Protection rating: IP55

### FEATURES »

- ∴ Square lantern in classic style
- ∴ Made of shockproof resin material
- ∴ UV-rays stabilized, rust and corrosion-free.
- ∴ Modular construction suitable for ground mounting installation.

### AREAS OF APPLICATION »

- ∴ Suitable for outdoor use
- ∴ Gardens
- ∴ Parks

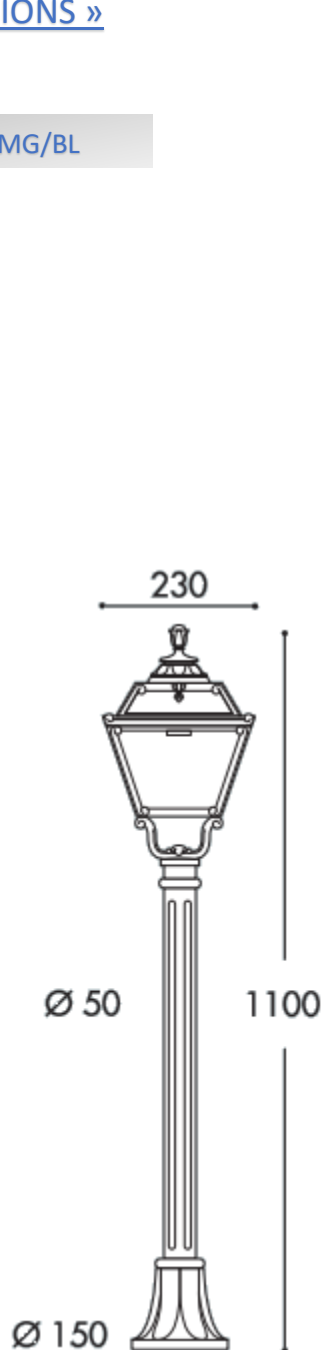
# TECHNICAL SPECIFICATION SHEET

## PRODUCT DETAILS »

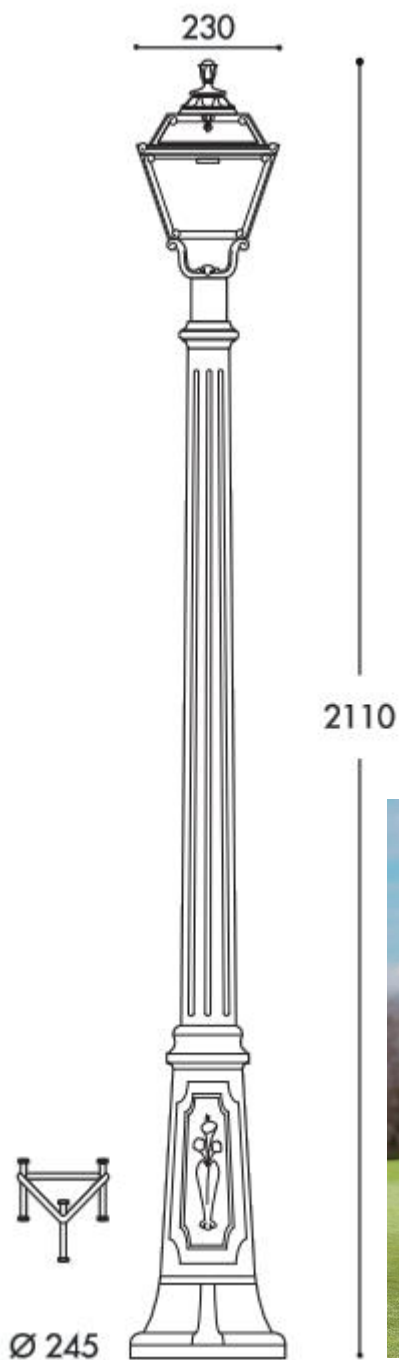
Catalogue number	Watt (W)	Whole fixture lumens (lm)	Colour temp. (K)	Lampholder	Colour body
96GOLIAMG/BL	8	800	4000	E27	Black
96GOLIAGG/BL	8	800	4000	E27	Black

## DIMENSIONS »

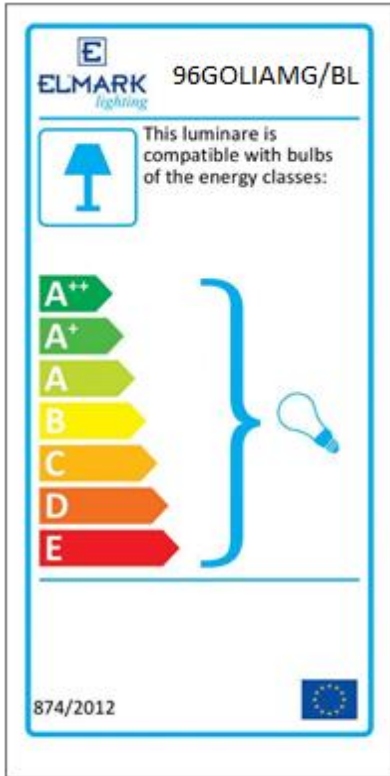
96GOLIAMG/BL



96GOLIAGG/BL



[ADDITIONAL INFORMATION »](#)



Catalogue number	Barcode	Packing/Box (pcs)
96GOLIAMG/BL	8031874211935	1
96GOLIAGG/BL	8031874240973	1

