

EL[®]MARK

The Brand of Electricity

GARDEN WALL LAMP E27



TECHNICAL SPECIFICATION

OUTDOOR- GARDEN

ELMARK[®]

The Brand of Electricity

Technical data:

- Voltage: 220-240V AC
- Lamp holder: E27
- Colour body: White; Black
- Type of Installation: Surface mounting on a wall
- Protection against dust and moisture: IP44

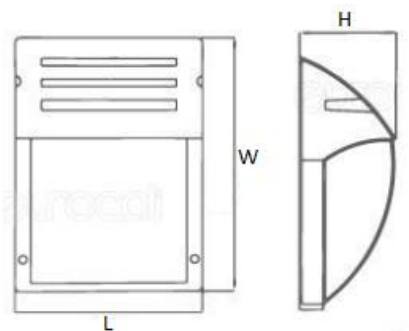
Features:

- Traditional Garden Lamps designed to fit the modern-day requirements
- Environmentally friendly - no mercury and lead
- No ultraviolet and infrared rays
- Resistant to shock and vibration stable body
- Easy Installation

Area of application:

- Suitable for outdoor use
- Additional, aesthetic, directional, architectural lighting for buildings, facades, fences' columns and other outdoor sites

Variants and Dimensions:



TECHNICAL SPECIFICATION

OUTDOOR- GARDEN

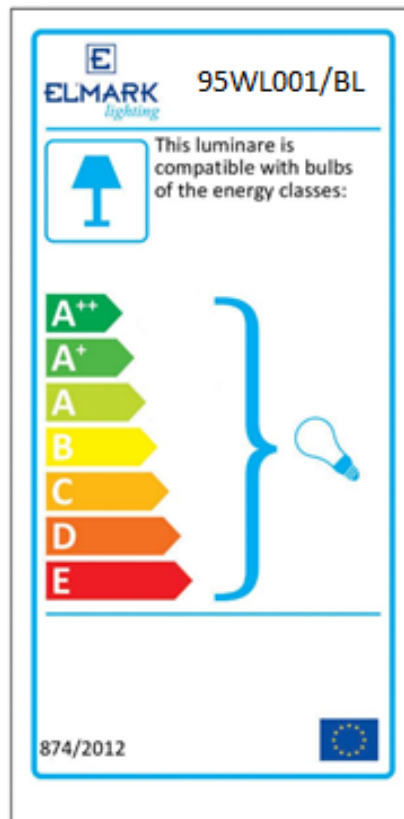
ELMARK[®]

The Brand of Electricity

Description	Colour	Size (mm)			Lampholder	Catalogue number
		Width	Length	Height		
Wall lamp	Black	245	180	100	1 x E27	95WL001/BL
Wall lamp	White	245	180	100	1 x E27	95WL001/WH

Barcodes:

95WL001/BL	3800131217202
95WL001/WH	3800131217196



EN 55015 • EN 61000-3-2 • EN 61000-3-3 • EN 61547 • EN 60598-1 • EN 60598-2-2 • EN 50581:2012



www.elmarkholding.eu