

EL[®]MARK

The Brand of Electricity

LED NEON FLEX SMD2835 STRIP



GENERAL INFORMATION »

- ∴ Input voltage: 12V/DC
- ∴ Power: 4.8W/m
- ∴ Body material and surface treatment: PVC, Single side luminous flexible strip light (neon)
- ∴ Working temperature: -20°C~+45°C
- ∴ Luminous efficiency: >160lm/m
- ∴ RA: ≥70
- ∴ Protection against dust and moisture: IP68
- ∴ Installation: Buckle fix

- ∴ With 3M double-adhesive tape on the back side
- ∴ Packing: 5 meter/roll

FEATURES »

- ∴ High efficiency
- ∴ Flexible & easy installation
- ∴ Low energy consumption
- ∴ Mercury free
- ∴ Correct operation even at low temperature
- ∴ Instant-on light
- ∴ Long lifetime

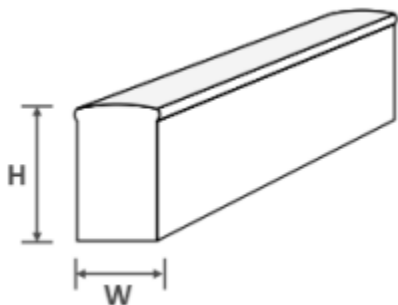
AREAS OF APPLICATION »

- ∴ Suitable for outdoor use
- ∴ Additional, aesthetic, spectacular, architectural lighting for gardens, parks, yard or other outdoor spaces
- ∴ Path & Contour Marking
- ∴ Auditorium walkway lighting
- ∴ Stairway accent lighting
- ∴ Backlighting for signage letters
- ∴ Outdoor lighting and sign

PRODUCT DETAILS »

Catalogue number	Model	LEDs (pcs/m)	Watts / meter	Colour temp. (K)	Protect ion rating
99LED940W	SMD2835	120pcs/m	4.8W/m	4000	IP68
99LED940WW	SMD2835	120pcs/m	4.8W/m	3000	IP68

[DIMENSIONS »](#)



Model	Width (mm)	Height (mm)
99LED940W	8	16
99LED940WW	8	16

[ADDITIONAL INFORMATION »](#)

Catalogue number	Barcode	Packing/Box (pcs)
99LED940W		1/100
99LED940WW		1/100