

ELMARK[®]

The Brand of Electricity

STELLAR LED STRIP 600



TECHNICAL SPECIFICATION

LED STRIPS

ELMARK[®]

The Brand of Electricity

Technical data:

- Rated voltage: 12V DC
- Power consumption: 9.6W/m
- Luminous efficiency: 3-4 lm/LED
- Number of LEDs: 120pcs/m
- Colour temperature: 2700-3000K; 6000-6500K
- LED type: SMD3528
- Light source: Epistar Taiwan
- Length: 5m/reel
- Average lifetime: 15 000h
- Protection against dust and moisture: IP20/ IP65

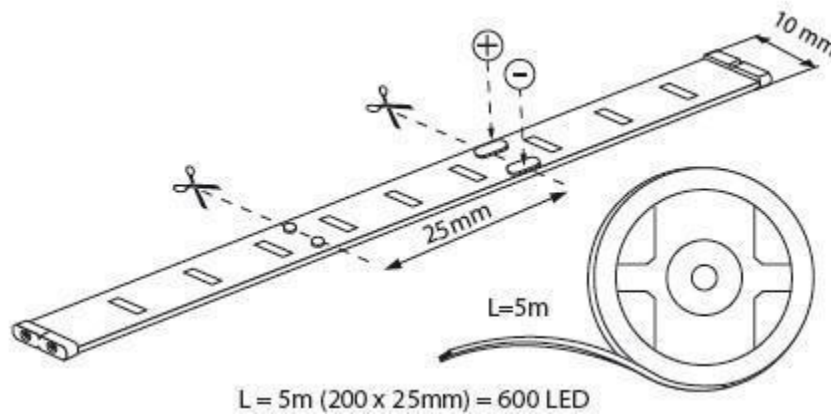
Features:

- Flexible & easy installation
- Low energy consumption
- Mercury free
- Correct operation even at low temperature
- Instant-on light
- Long lifetime

Area of application:

- Domestic application
- Accent lighting
- Landscape lighting
- Shops
- Pathways

Variants and Dimensions:



Model	LEDs	Watts / meter	Colour temp. (K)	Colour of light	Protection rating	Catalogue number
LED- 3528-120WW	120pcs/m	9.6W/M	2700-3000	warm white	IP20	99XLED308
LED- 3528-120W	120pcs/m	9.6W/M	4000-4300	neutral white	IP20	99XLED321
LED- 3528-120CW	120pcs/m	9.6W/M	6000-6500	cold white	IP20	99XLED307
LED- 3528-120WW	120pcs/m	9.6W/M	2700-3000	warm white	IP65	99XLED315
LED- 3528-120W	120pcs/m	9.6W/M	4000-4300	neutral white	IP65	99XLED320
LED- 3528-120CW	120pcs/m	9.6W/M	6000-6500	cold white	IP65	99XLED314

TECHNICAL SPECIFICATION

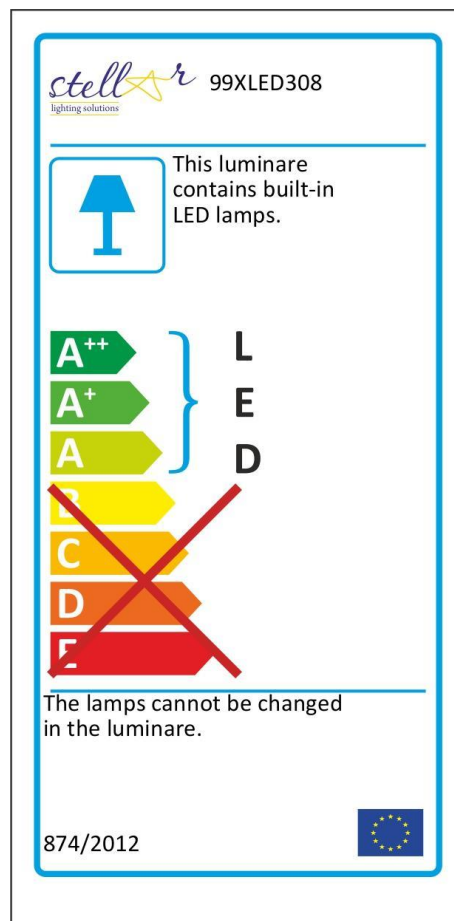
LED STRIPS

ELMARK[®]

The Brand of Electricity

Barcodes:

99XLED308	3800131199188
99XLED307	3800131199171
99XLED315	3800131215710
99XLED314	3800131215703



• EN 55015 • EN 61000-3-2 • EN 61000-3-3 • EN 61547 • EN 13032-4 • EN 62031 •

CE RoHS COMPLIANT

www.elmarkholding.eu