

ELMARK[®]

The Brand of Electricity

RF CONTROLLER FOR LED STRIP



GENERAL INFORMATION »

- ∴ Full color LED touch controller
- ∴ RF wireless transmitter
- ∴ 3*4 channels output/PWM operating principle
- ∴ Can be dimmed as many as 6.4 million with RGB. 16kinds of changing mode.
- ∴ Dimming the color by touching the color ring.
- ∴ Easy use.

FEATURES »

- ∴ Working voltage: DC 12V-24V
- ∴ Output channel: 3CHS
- ∴ Output current: 6A/CH
- ∴ Output Power: 12v<216W,24V<432W
- ∴ Connect mode: Common anode
- ∴ RF Frequency: 433.92MHZ
- ∴ Control distance: ≤20 M
- ∴ Working temperature: -20C-40C
- ∴ IP code: IP20

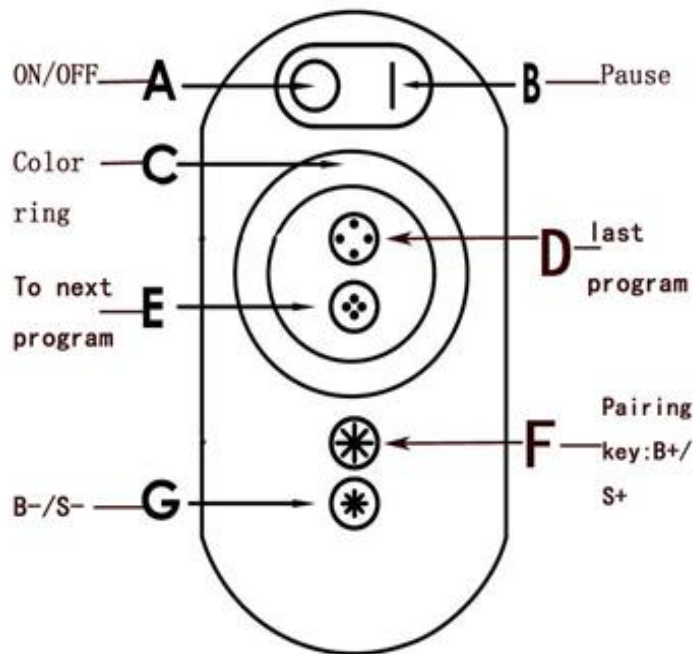
AREAS OF APPLICATION »

- ∴ Decorating Lighting in Party, Club, Bar, Stages, Room.
- ∴ Illuminating Hotels, Parks, Plazas, Commercial Buildings Facade, Museums, and Landscape.

PRODUCT DETAILS »

Catalogue number	Model	Current (A)	Voltage (V)	Length (mm)	Width (mm)	Height (mm)	Packing/Box (pcs)
99RGBCONTROL5	RGB controller 3x72W	6	12	65	64	25	1/100

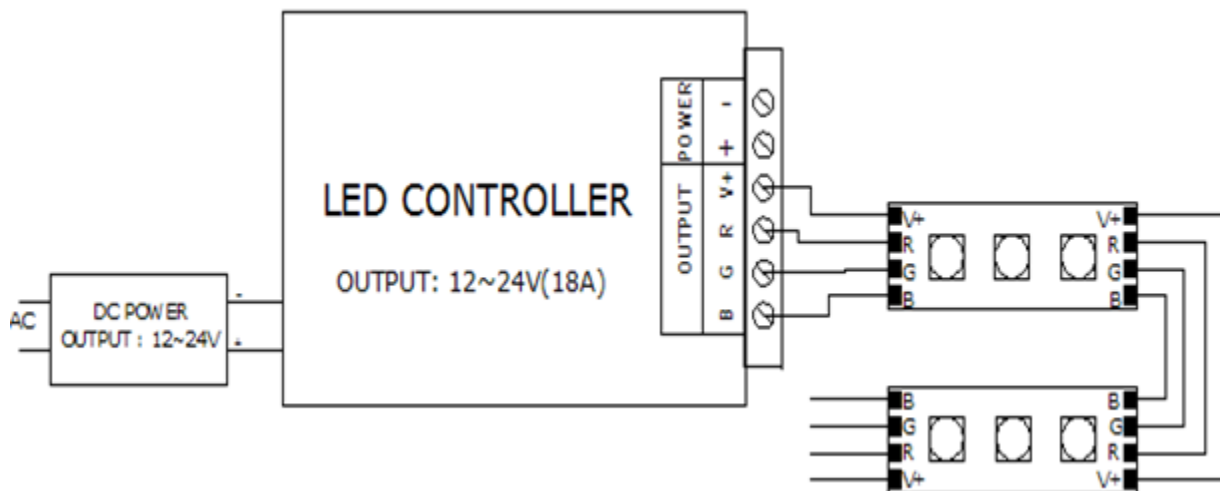
Remoter Function instruction



A	ON/OFF
B	Pause
C	Color ring for changing color or choose color
D	Last program
E	To next program
F	Pairing key; B+/S+(match Key)
G	B-/S-

NO.	Changing color	Note	NO.	Changing color	Note
1	Auto changing	A.D.E.F.G. effected	10	RGB general changing	A.D.E.F.G. effected
2	Static red	A.D.E.F.G. effected	11	7clor general changing	A.D.E.F.G. effected
3	Static Green	A.D.E.F.G.effected	12	7clor general changing and jump changing	A.D.E.F.G. effected
4	Static Blu	A.D.E.F.G.effected	13	Red strobe-flash	A.D.E.F.G. effected
5	Static cyan	A.D.E.F.G effected	14	Green strobe-flash	A.D.E.F.G. effected
6	Static purple	A.D.E.F.G.effected	15	Blue strobe-flash	A.D.E.F.G. effected
7	Static yellow	A.D.E.F.G.effected	16	Red blue strobe-flash	A.D.E.F.G. effected
8	RGB jump changing	A.D.E.F.G.effected			
9	7color jump changing	A.D.E.F.G.effected			

Typical Application:



∴ Paring code : First Press Key F, then turn on the controller to pair the control address.

There will be 3times little flash of the LED lighting,when it is paired successfully.

∴ Cancel code : First Press Key F, then turn on the controller to pair the control address.

There will be 6times little flash of the LED lighting,when the pairing code is canceled successfully.

