

RECHARGEABLE LED BASES

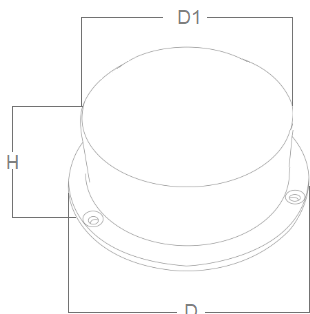


Rechargeable LED Bases designed for durable use with lighting up. The bases are equipped with remote control and charger German type. The remote control can be changing function: flash, strobe, fade, smooth mode. Use for indoor, outdoor, garden, home, hotel, party, bar. Can be placed in decorative furniture such as LED table, flower pot, sofa, armchair etc.

Technical details:

- Input Voltage: 100-240VAC, 50/60Hz
- Output Voltage: 5V 1A
- Battery type: Li- 18650/ 3.7V; 5200mAh; 19.4Wh
- Charging time: 6h
- Discharging time: 10-12h

Dimensions:



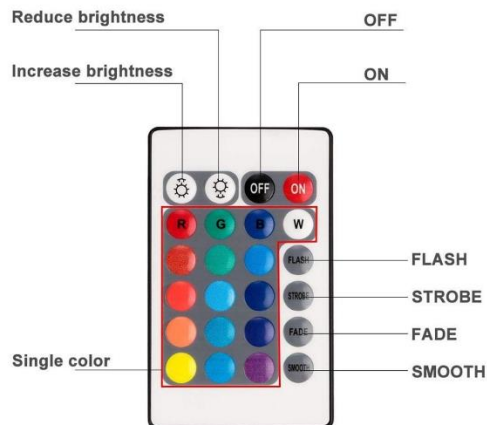
| Model | D (mm) | D1 (mm) | H (mm) |
|--------------|--------|---------|--------|
| 97LED65RGB | 85 | 68 | 65 |
| 97LED120LRGB | 120 | 95 | 58 |
| 97LED120WW | 120 | 102 | 73 |
| 97LED120CW | 120 | 102 | 73 |
| 97LED120RGB | 120 | 102 | 73 |

www.elmarkholding.eu

ELMARK[®]

The Brand of Electricity

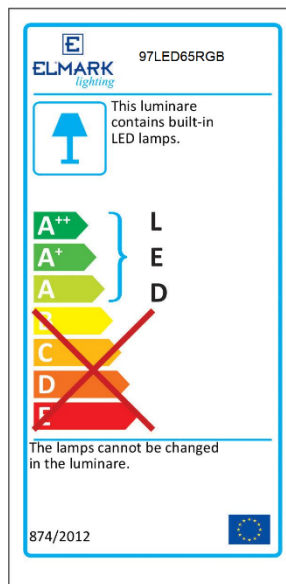
REMOTE CONTROL



Product details:

| Catalogue number | Type | LEDs (qty) | Colour temp. (K) |
|------------------|----------------------|------------|------------------|
| 97LED65RGB | RGBW BASE 65 | 1+1 | RGBW |
| 97LED120LRGB | RGBW BASE 120 + LENS | 7+7 | RGBW |
| 97LED120WW | WW BASE 120 | 12 | 3000 |
| 97LED120CW | CW BASE 120 | 12 | 5500 |
| 97LED120RGB | RGBW BASE 120 | 9+9 | RGBW |

Packing:



| Catalogue number | Packing/Box (pcs) |
|------------------|-------------------|
| 97LED65RGB | 1/50 |
| 97LED120LRGB | 1/36 |
| 97LED120WW | 1/36 |
| 97LED120CW | 1/36 |
| 97LED120RGB | 1/36 |

CE RoHS COMPLIANT