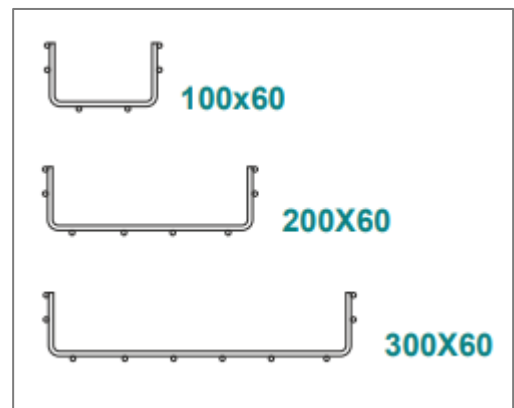
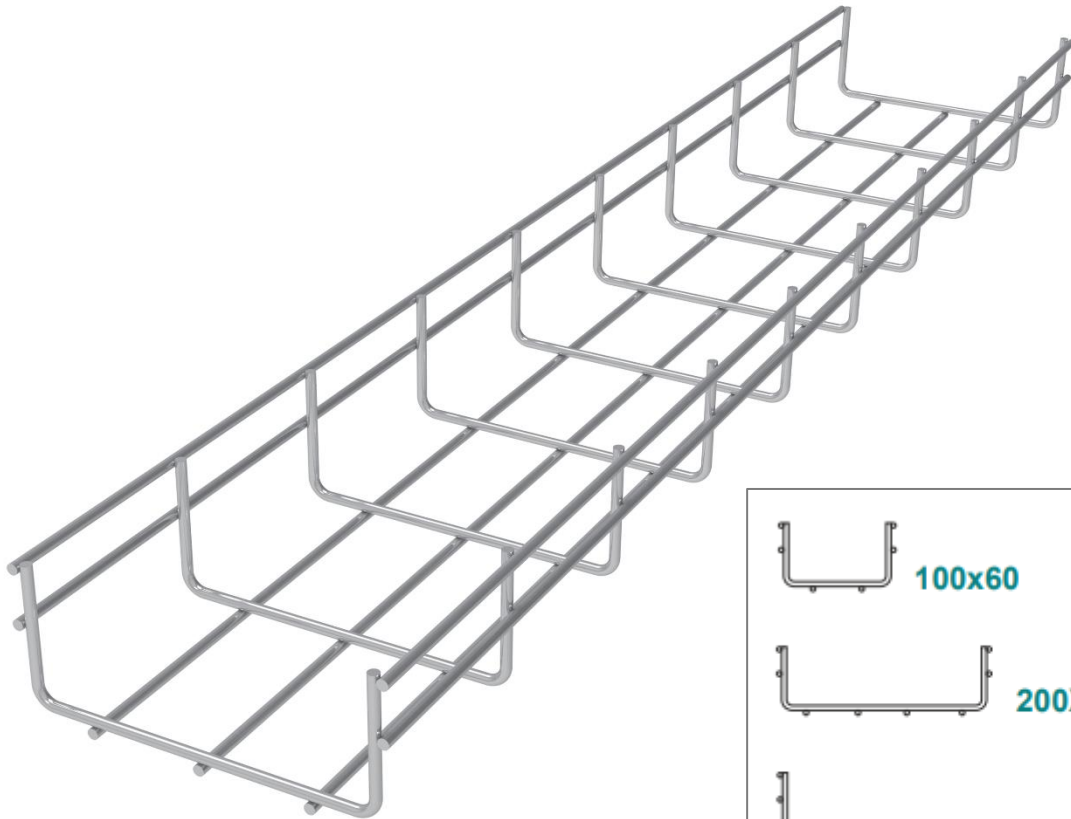


# ELMARK<sup>®</sup>

The Brand of Electricity

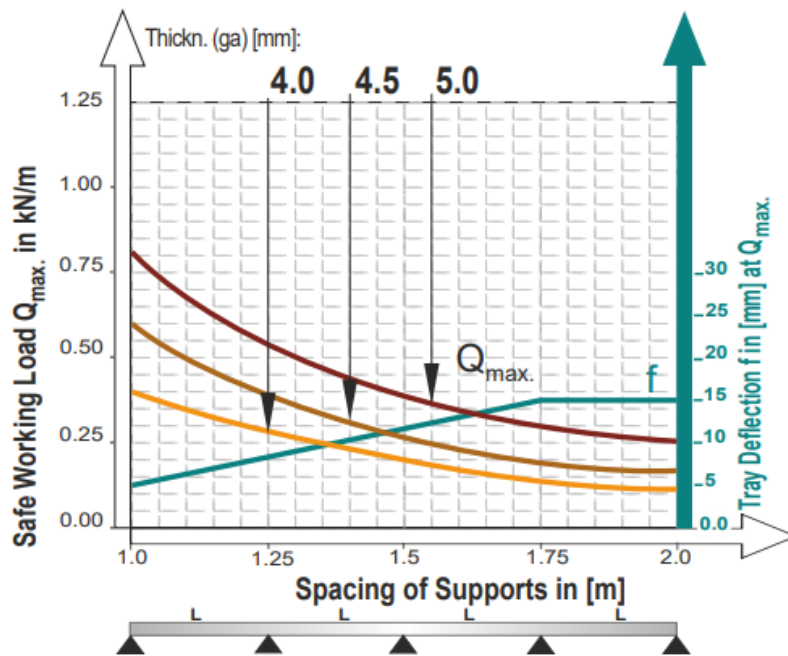
## WIRE MESH CABLE TRAYS



Wire Mesh tray is generally used for telecommunication and fiber optic applications and are installed on short support spans. This type of cable trays cable provide lots of options for cable management which is especially important at their frequent entry and exit. The purpose of a cable tray system is to support, route, and protect cable and is part of the cable management system.

## Product details:

- Material: Steel Electro-Galvanized 8-12 Micron
- Applications: Cable Routing
- Thickness (ga) [mm]: 4.0
- Size (mm): 60x100; 60x200; 60x300
- Length (mm): 2500



Width	Usable Cross-Section
100	50 cm <sup>2</sup>
200	100 cm <sup>2</sup>
300	150 cm <sup>2</sup>

This diagram complies with IEC 61537 with connection to 1/5 of the span and the end span = 0,8x the span

$Q$  = max. admissible load (kg/m)

$L$  = support distance (m)

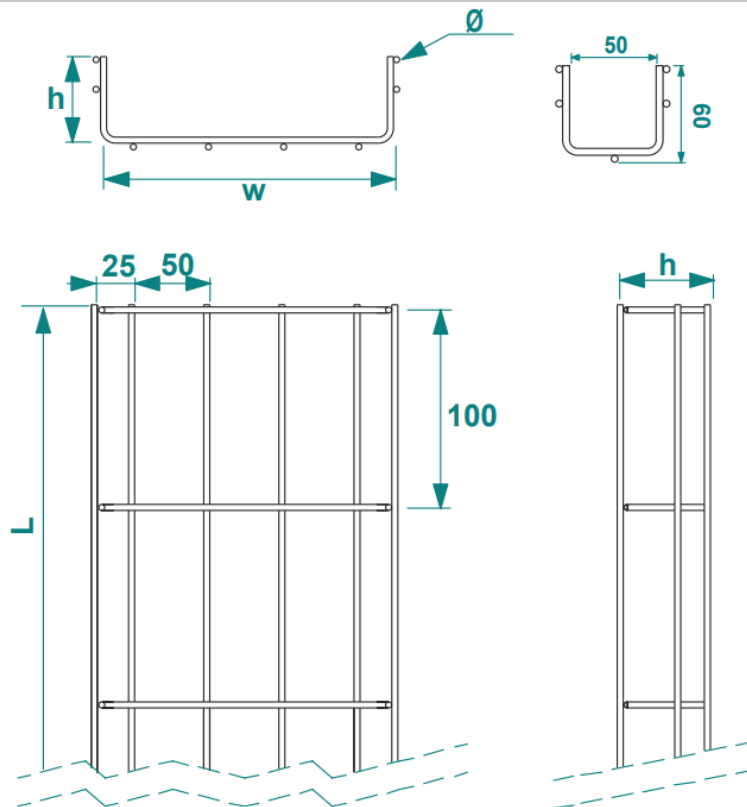
$f$  = Deflection (mm) / Max. deflection =  $L/100$

Safety coefficient = 1.5

## Variants:

Type	Size (mm)	Thickness (mm)	Packing/Box (pcs)	Catalogue number
CT2 WIRE MESH CABLE TRAY	60x100	4	1	560100604WM
CT2 WIRE MESH CABLE TRAY	60x200	4	1	560200604WM
CT2 WIRE MESH CABLE TRAY	60x300	4	1	560300604WM

## Dimensions:



Catalogue number	H (mm)	W (mm)	L (mm)
560100604WM	60	100	2500
560200604WM	60	200	2500
560300604WM	60	300	2500

