

TECHNICAL SPECIFICATION

Waterproof junction boxes IP44



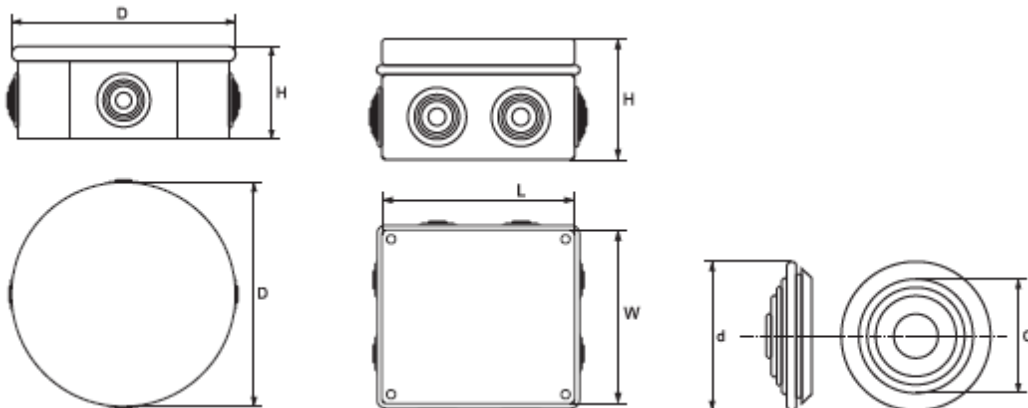
Description

Plastic junction boxes with different shapes and dimensions. Designed for cable lines extension or tapping at cable installations laying. Made of ABS material with openings for input - output conductors, with rubber gasket to provide the corresponding IP code. Resistant to chemical, thermal and UV rays. Direct wall mounting with screws.

Technical data

- Rated voltage: up to 1000V
- Material: ABS
- IP code: IP44

Variants and dimensions



Box type	Box dimensions (mm)				Gasket dimensions (mm)		IP code	Packing / Box	Catalogue number
	D	L	W	H	d	C			
WB50/50	50	-	-	50	22.5	17	44	320	8070
WB80/50	80	-	-	50	22.5	17	44	240	8071
WB85/85/50	-	85	85	50	22.5	18.5	44	200	8072

Standards:

EN 60670-1

