

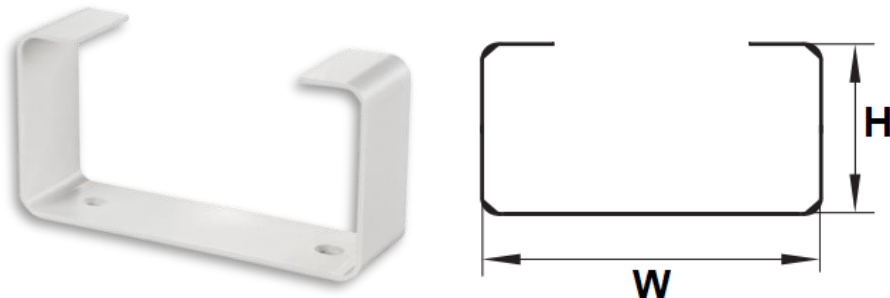
EL[®]MARK

The Brand of Electricity

ACCESSORIES FOR DOMESTIC FANS

FLAT DUCT BRACKET

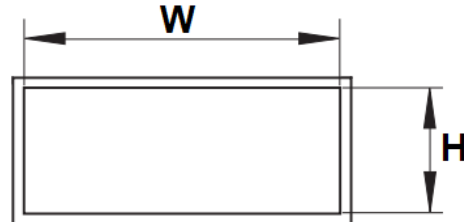
- ✓ Mounting of flat ducts to wall, ceiling or any other plane surface.
- ✓ Made of white plastic.
- ✓ Fixation to plane surface with screws.
- ✓ Specially designed configuration provides reliable duct to holder fixation and quick dismantling.



Width (mm)	Height (mm)	Material	Packing/Box (pcs)	Catalogue number
110	55	Plastic	1	M522032

FLAT DUCT CONNECTOR

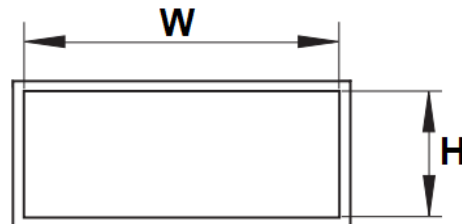
- ✓ Connection of same sized flat ducts.
- ✓ Made of white plastic.
- ✓ Designed for installation into air duct and equipped with a lock ring for easy jointing.



Width (mm)	Height (mm)	Material	Packing/Box (pcs)	Catalogue number
110	55	Plastic	1	M522029

FLAT DUCT CONNECTOR WITH DAMPER

- ✓ Connection of same sized flat ducts.
- ✓ Made of white plastic.
- ✓ Designed for installation into air duct and equipped with a lock ring for easy jointing.
- ✓ Equipped with a backdraft damper for back flow prevention.



Width (mm)	Height (mm)	Material	Packing/Box (pcs)	Catalogue number
110	55	Plastic	1	M522030

PVC WALL CONNECTOR

- ✓ Connection of air ducts to ventilation shafts.
- ✓ Decoration of mounting openings.
- ✓ Made of white plastic.
- ✓ Screw fixing to wall.



Section of PVC duct	Material	Packing/Box (pcs)	Catalogue number
110x55	Plastic	1	M522033

HORIZONTAL 90° BEND FOR FLAT DUCTS

- ✓ Connection of same sized flat ducts at 90° horizontally.
- ✓ Made of white plastic



Width (mm)	Height (mm)	Material	Packing/Box (pcs)	Catalogue number
110	55	Plastic	1	M522015

VERTICAL 90° BEND FOR FLAT DUCTS

- ✓ Connection of same sized flat ducts at 90° vertically.
- ✓ Made of white plastic.



Width (mm)	Height (mm)	Material	Packing/Box (pcs)	Catalogue number
110	55	Plastic	1	M522016

T-JOINT FOR FLAT DUCTS

- ✓ Formation of branch connections in supply or exhaust ventilation systems located in residential, public and other buildings.
- ✓ Connection of same sized flat ducts and integration into complex ventilation systems.
- ✓ Made of white plastic.
- ✓ Connection of same sized three flat ducts at 90°.
- ✓ Direct connection to matching sized ducts.



Width (mm)	Height (mm)	Material	Packing/Box (pcs)	Catalogue number
110	55	Plastic	1	M522020

T-JOINT FOR FLAT & ROUND DUCTS

- ✓ Formation of branch connections in supply or exhaust ventilation systems located in residential, public and other buildings.
- ✓ Connection of flat and round ducts.
- ✓ Made of white plastic.
- ✓ Direct connection to air duct.



Width (mm)	Height (mm)	Connection diameter of round duct (mm)	Material	Packing/Box (pcs)	Catalogue number
110	55	100	Plastic	1	M522017

END GRILLE FOR FLAT DUCTS

- ✓ Decoration of supply or exhaust vents of public, residential and industrial ventilation systems.
- ✓ Correct air flow distribution in premises.

- ✓ Wall or ceiling mounting.
- ✓ Made of white plastic.
- ✓ Detachable front part facilitates cleaning.
- ✓ Modification with an insect screen (s) is available.



Width (mm)	Height (mm)	Material	Packing/Box (pcs)	Catalogue number
110	55	Plastic	1	M522019

90° CONNECTING BEND FOR FLAT & ROUND DUCTS

- ✓ Connection of flat and round ducts at 90°.
- ✓ Made of white plastic.
- ✓ Flat ducts have direct connection and round ducts are connected through a matching connector.



Width (mm)	Height (mm)	Connection diameter of round duct (mm)	Material	Packing/Box (pcs)	Catalogue number
110	55	100	Plastic	1	M522018

ROUND TO FLAT CONNECTOR

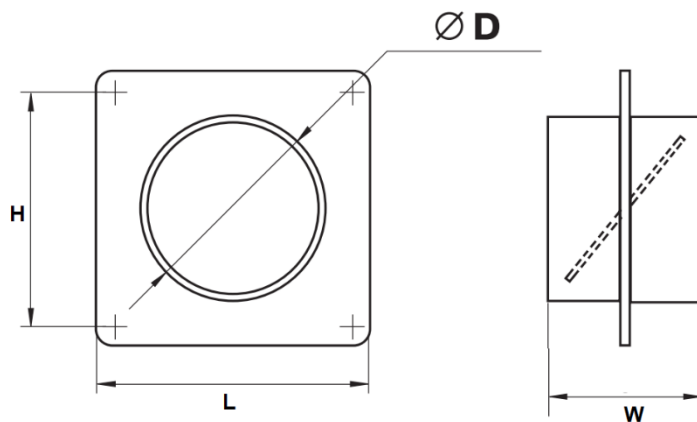
- ✓ Connection of round and flat ducts.
- ✓ Made of white plastic.
- ✓ Direct connection to round and flat ducts.



Width (mm)	Height (mm)	Connection diameter of round duct (mm)	Material	Packing/Box (pcs)	Catalogue number
110	55	100	Plastic	1	M522014

CONNECTOR WITH BACKDRAFT DAMPER AND WALL PLATE FOR ROUND DUCTS

- ✓ Connection of same diameter air ducts.
- ✓ Decoration of mounting openings.
- ✓ Made of white plastic.
- ✓ Equipped with a wall plate for decoration of mounting openings.
- ✓ Equipped with a backdraft damper for back flow prevention.



Length (mm)	Width (mm)	Height (mm)	Connection diameter of round duct (mm)	Material	Packing/Box (pcs)	Catalogue number
150	62	134	100	Plastic	1	M522115

90° CONNECTING BEND FOR ROUND DUCTS

- ✓ Connection of same diameter air ducts at 90°.
- ✓ Made of white plastic.



Connection diameter of round duct (mm)	Material	Packing/Box (pcs)	Catalogue number
100	Plastic	1	M522013

T-JOINT FOR ROUND DUCTS

- ✓ Formation of branch connections in supply or exhaust ventilation systems located in residential, public and other buildings.
- ✓ Connection of same diameter round ducts and integration into complex ventilation systems.
- ✓ Made of white plastic.
- ✓ Connection of same diameter three round ducts at 90°



Connection diameter of round duct (mm)	Material	Packing/Box (pcs)	Catalogue number
100	Plastic	1	M522012

CONNECTOR WITH BACKDRAFT DAMPER FOR ROUND DUCTS

- ✓ Connection of same diameter air ducts.
- ✓ Made of white plastic.
- ✓ Equipped with a backdraft damper for back flow prevention.
- ✓ Designed for direct installation into air duct and equipped with a lock ring.



Connection diameter of round duct (mm)	Material	Packing/Box (pcs)	Catalogue number
100	Plastic	1	M522010

