

EL[®]MARK

The Brand of Electricity

FAN GRILLS WITH BACKDRAFT DAMPER



- ✓ Outer wall mounting
- ✓ Decoration of ventilation shaft vents and connection to round air ducts
- ✓ Ideal for bathroom extractor fans & kitchen cooker hoods.
- ✓ Equipped with a backdraft damper for back flow prevention
- ✓ Made of ABS

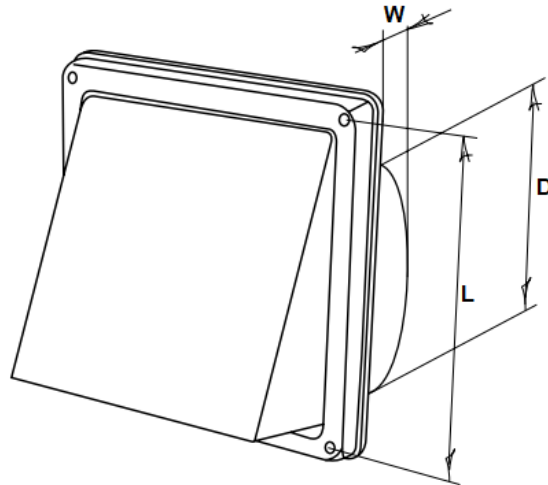
VENTILATION

ACCESSORIES FOR DOMESTIC FANS

ELMARK[®]

The Brand of Electricity

Basic data:



Length (mm)	Width (mm)	Connection diameter (mm)	Material	Packing/Box (pcs)	Catalogue number
154	154	100	ABS	1	M522034
186	186	125	ABS	1	M522078

